

CARRERA

DESIGNED IN GERMANY

EN

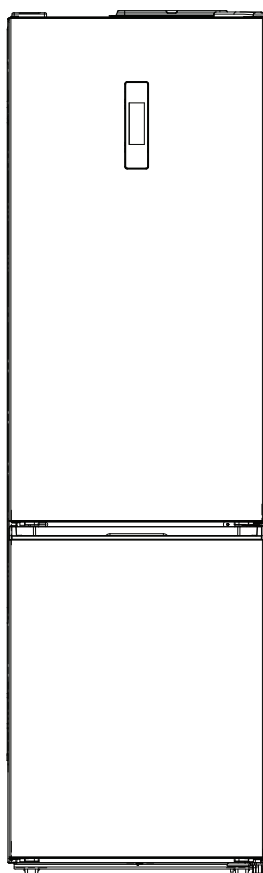
REFRIGERATOR

Instruction manual

RU

ХОЛОДИЛЬНИК

Инструкция по эксплуатации



**№ 811 | 812 | 815 |
817 | 818**

www.carrera.de

Welcome to the **CARRERA** club!

The story of **CARRERA** starts in the 80' in Germany as a lifestyle across two product categories: personal care and home appliances.

CARRERA engineers and designers were inspired by the legendary Carrera Panamericana, the longest and the most challenging race in the 50'. Only the racers who were ready to go beyond the limitations of their own bodies and materials stood a chance of winning.

Today, that same philosophy drives **CARRERA** to develop unique and powerful products.

Each product is made of hi-tech components and quality materials outlining power, quality, innovative features and effective design.

This approach resonated with millions of people, boosting **CARRERA** brand recognition in Europe up to 90 %. **CARRERA** products have become an embodiment of German precision and craftsmanship.

Today, **CARRERA** continues to invest into research and development. Each **CARRERA** product provides users with a sense of luxury, comfort and efficacy.

CARRERA is not just about tools. It is about a lifestyle.

CONTENTS

01 SAFETY PRECAUTIONS	4
02 CLIMATE CLASS	7
03 INTENDED USE	7
04 APPLIANCE OVERVIEW	8
05 CONTROL PANEL	9
06 INSTALLING	9
07 OPERATION	10
08 STORAGE	13
09 CLEANING AND MAINTENACE	14
10 ERROR CODES	15
11 TROUBLESHOOTING	16
12 TRANSPORT AND STORAGE	17
13 DISPOSAL	18
14 TECHNICAL SPECIFICATIONS	18
15 SCOPE OF DELIVERY	18
16 WARRANTY	18
17 ADDITIONAL INFORMATION	19

01 SAFETY PRECAUTIONS



Read this instruction manual carefully before using the appliance. Keep this manual, receipt, packing box and, if possible, other packing elements. The manufacturer and distributor shall not be liable for any damage or malfunction of the appliance or for any damage resulting from improper or unintended use of the appliance.



Caution: Danger of fire!

- Regularly check the appliance and its cable for mechanical damage and do not use the appliance if any damage is detected.
- Before using the appliance, make sure that the operating voltage of the appliance matches the mains voltage.
- Connect the appliance to an earthed socket.
- Connect the appliance only to an AC power source. Consult a professional for installation.
- It is not recommended to connect the appliance to the mains using extension cords, power strips and adapters.
- To avoid overloading the electrical network, it is not recommended to connect several appliances with high power consumption at the same time.
- Do not connect the appliance to the power supply until the installation is complete.
- Do not use the appliance for other than its intended use.
- Do not use the appliance outdoors.
- Do not use the appliance in areas where aerosols are sprayed or flammable liquids are present.
- Do not place the appliance near sources of water or other liquids, or near heating or radiators.
- Protect the appliance and power cord from high temperatures, direct sunlight, dampness and other adverse effects.
- Do not turn on the appliance if it has fallen, even if there is no external damage, until it has been examined by a specialist. Contact a specialized service.
- Make sure that the mains cable of the appliance does not come into contact with hot surfaces or sharp objects.
- Disconnect the appliance from the mains after use and during cleaning or maintenance.
- When unplugging the appliance, hold the plug and do not pull on the cable.

- The appliance is not intended for use by children, physically or mentally challenged persons, or persons lacking in experience and knowledge, without prior training, instruction or supervision by persons responsible for their safety.
- Do not allow children to play with the appliance, accessories, box and other packaging to avoid injury or suffocation.
- If the cable is damaged, the appliance must not be used.
- Do not repair or modify the appliance yourself. Repairs to the appliance must only be carried out by a specialist service center. If the power cord is damaged, it must be replaced by the manufacturer, the service department or similarly qualified personnel to avoid danger.
- Take care when transporting the appliance as it is quite heavy.
- Before moving the appliance, remove all food, secure the door with adhesive tape and remove all shelves and drawers. Screw in the leveling feet as far as they will go.
- Do not hold the door handles, the open door, or any protruding parts such as the condenser grille on the back of the appliance, or touch the compressor system during installation and handling.
- Do not tilt the appliance more than 45° in relation to the surface during installation and handling. If this situation occurs, wait at least four hours before connecting the appliance to the mains.
- The appliance must be installed in such a way that the socket is easily accessible.
- To prevent electric shock, do not touch the refrigerator and a naturally grounded appliance (gas stove, heating radiator, etc.) at the same time.
- The refrigerator uses R600a refrigerant - natural gas, which is not harmful to the environment but is flammable, therefore, it is necessary to observe additional precautions.
- In case of a domestic gas leak, shut off the gas supply, then open doors and windows. Do not unplug the appliance or other electrical appliances from the socket.
- Do not remove ice and frost with sharp objects to avoid damaging the cooling circuit.
- Do not store alkalis, acids, unsealed medicines, hot and explosive substances or objects (e.g. aerosol cans) in the appliance. Do not store liquids contained in bottles, aluminum cans or glass containers in the freezer compartment - glass or aluminum cans may crack due to frost.
- Do not place excessive amounts of food or hot food in the appliance. Allow food to cool to room temperature before placing it in the freezer compartment.
- Do not allow table salt to get on the shelves of the freezer compartment.

- Vegetable oils and fats must not come into contact with the plastic parts of the appliance or the door seal (as these parts may become porous).
- Do not place food close to the back of the refrigerator compartment as it may freeze.
- Do not open the door too often, especially in hot weather, or leave it open for long periods of time.
- Do not stick your fingers in the gaps between the door and the appliance body.
- Do not slam the appliance door. To avoid tearing the seal, open the appliance only by the handles.
- Store food according to the manufacturer's instructions. It is not recommended to defrost or re-freeze food.
- Do not place heavy objects on the appliance.
- If the refrigeration system leaks, ventilate the room well and do not use an open flame.
- At least once a year, use a soft dry brush or a vacuum cleaner to remove dust from the construction elements located at the back of the appliance, having first unplugged the mains plug from the socket.
- Unplug the appliance from the mains when:
 - cleaning the floor underneath the appliance;
 - cleaning the appliance inside and outside, defrosting the freezer compartment;
 - disconnecting the mains voltage;
 - when you are away for a long period of time.

WARNING!

In order to ensure fire safety as well as stable operation of the appliance during its lifetime:

- **Do not obstruct the ventilation openings located in the appliance casing.**
- **Do not use mechanical devices or other means to accelerate the defrosting process other than those recommended by the manufacturer.**
- **Do not damage the refrigerant circuit.**
- **Do not connect the appliance to an electrical system with defective overcurrent protection.**
- **Do not use electrical appliances inside food storage compartments except those recommended by the manufacturer.**

- **Do not use adapters, additional outlets or extension cords for connection, which may cause the appliance to catch fire and premature failure of the appliance's automation system.**
- **Do not replace wiring elements with the help of unauthorized persons.**
- **Do not operate the appliance beyond its service life (further operation is possible only after replacing all wiring elements of the appliance).**

02 CLIMATE CLASS

The climate class is marked on a sticker on the appliance's housing and indicates the temperature range in which the appliance should be used.

Climate class	Temperature range
SN	from +10 to +32 °C
N	from +16 to +32 °C
ST	from +16 to +38 °C
T	from +16 to +43 °C

The appliance may only be used within its climatic class (specified in the technical data of the appliance) in kitchen areas with relative humidity not exceeding 70 %. Operation at temperatures outside the climatic class range may result in damage to the appliance.

The refrigerator may not be able to maintain the desired temperature if the outside temperature does not correspond to the climatic class of the appliance.

Do not operate the appliance at sub-zero ambient temperatures.

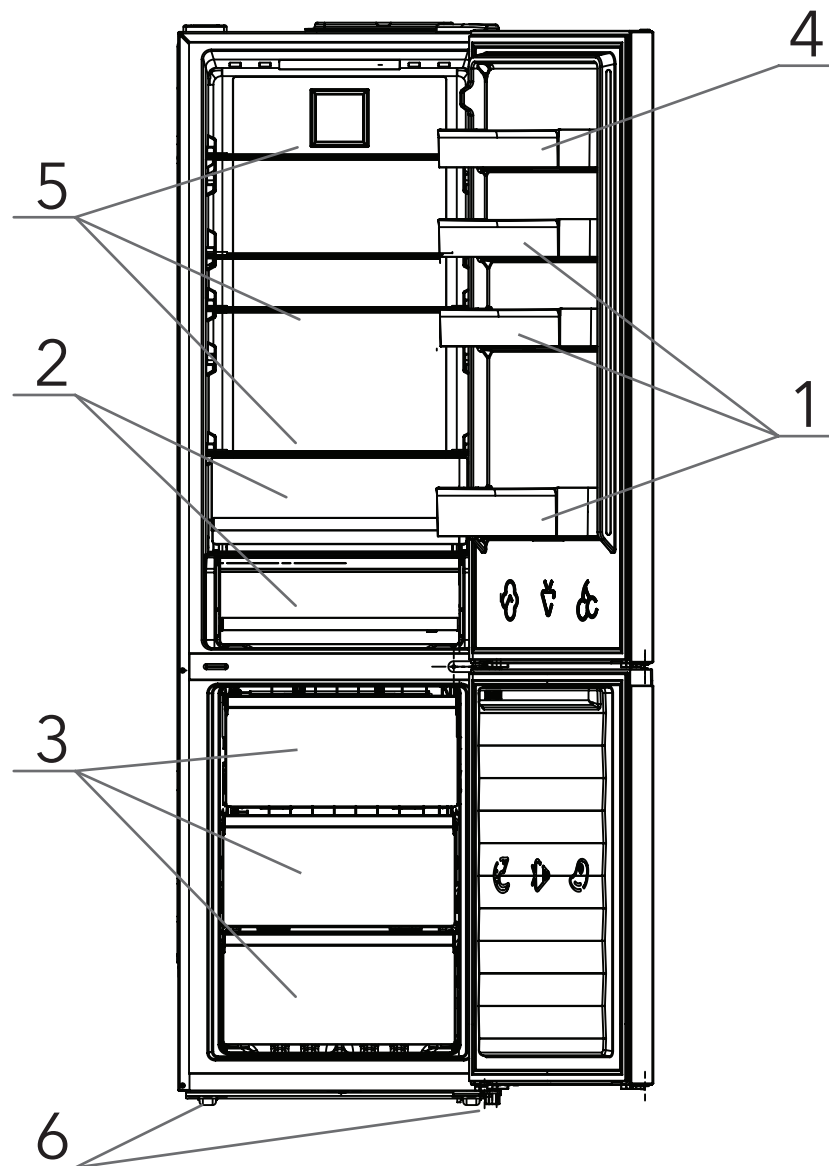
03 INTENDED USE

The refrigerator is designed for cooling and storing fresh food products in the fridge compartment, as well as for making food ice, freezing and long-term storage of frozen food products in the freezer compartment. The appliance should not be used to store blood, medicines, biological products, etc.

This appliance is intended for use in domestic and similar environments:

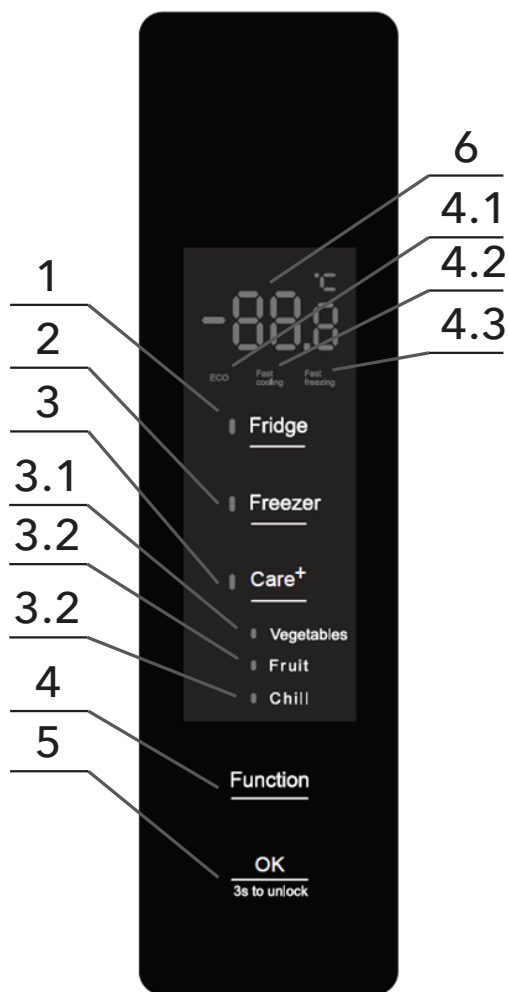
- in staff kitchen areas in stores, offices and other industrial environments;
- in farm buildings and customers in hotels, motels and other residential type environments;
- in bed-and-breakfast settings;
- in catering and similar non-commercial environments.

04 APPLIANCE OVERVIEW



1. Door balcony
2. Crisper drawers
3. Freezer drawers
4. Beauty space
5. Fridge shelves
6. Adjustable feet

05 CONTROL PANEL



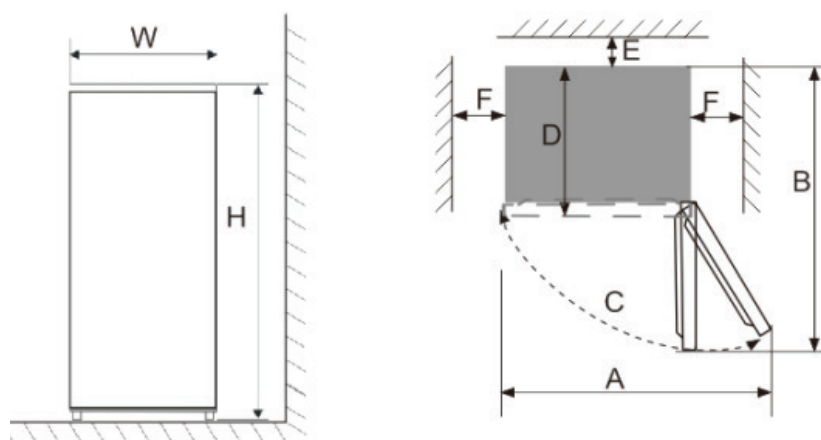
1. Fridge compartment button
2. Freezer compartment button
3. Crisper drawer button
 - 3.1. Crisper drawer mode «Vegetables»
 - 3.2. Crisper drawer mode «Fruit»
 - 3.3. Crisper drawer mode «Chill»
4. Function button to choose modes «ECO», «Fast Freezing», «Fast Cooling»
 - 4.1. ECO indicator
 - 4.2. Fast Cooling indicator
 - 4.3. Fast Freezing indicator
5. OK/Lock button
6. Temperature setting indicator

06 INSTALLING

- After storing or transporting the appliance in a low temperature environment, keep it at room temperature for at least 8 hours in its packaging in an upright position before switching it on.
- Remove the packaging from the unit, and remove the accessories from the packaging. Wash the accessories and the appliance with warm water: the outer part with soap and water detergent and the inner parts with baking soda solution. Then dry the appliance inside and outside with a soft cloth and air it thoroughly.
- The appliance should be operated in non-residential (kitchen) premises; it is not recommended to install the refrigerator in bedrooms. Note that the refrigerator operation is accompanied by functional noises and sounds.
- Find the place of installation of the appliance. It should be installed away from heat source and direct sunlight, at least 50 cm away from heating devices: gas and electric stoves, ovens and heating radiators. Install the appliance on a solid, level surface. Avoid places with high humidity and places where splashes can reach, e.g. from rain.

- The place should be well ventilated, with enough space around the refrigerator. Be sure to allow air to circulate around the appliance - at least 5 cm from the back of the appliance and at least 10 cm from the sides. Make sure that the doors can be opened freely. Refer to the values below when installing the refrigerator:

W	D	H	A	B	C	E	F
59,9 cm	67 cm	201 cm	87,2 cm	122,5 cm	120°	50 cm	10 cm



- When installing the appliance, level it using the front adjustable feet.
- Install the accessories and connect the appliance to the mains.

WARNING!

- Do not use abrasive cleaners or products containing acids and solvents to clean the appliance.**
- The refrigerator must not come into contact with metal sinks, water, heating, sewerage and gas supply pipes, or other metal grounded utilities.**

Note: if the appliance is placed on a carpet or soft flooring, the height of the front feet should be re-adjusted after the appliance has been standing for a few hours.

07 OPERATION

The appliance is divided into four compartments: fridge compartment with three freshness zones and a freezer compartment. When the door is opened, the backlight is automatically switched on. The refrigerator is also equipped with a control panel, with which you can precisely control and adjust the temperature of each compartment and set different operating modes.

The efficiency of the inverter compressor automatically adjusts to the ambient and set temperatures to keep the appliance running at its optimum performance.


Select the compartment to accommodate food according to the expected shelf life and storage conditions indicated on the product packaging.

If the door is opened for more than 3 minutes, the appliance will beep. To stop the alarm, close the door or press any button.

WARNING!

- **Turn the refrigerator on for the first time without loading food. Before filling the appliance with any fresh or frozen food, let it run for 2-4 hours to make sure that it works properly and that the temperature reaches the required level.**
- **The liquid and gases circulating in a refrigerator's sealed cooling system may make some noises, both when the compressor is running and after it is shut off. You may also hear slight crackling of materials under the influence of temperature deformations, clicks of temperature regulator operation. This does not constitute a malfunction.**

Enable/disable lock function

When there is no activity for more than 3 minutes, the control panel automatically enters the lock mode  to prevent accidental pressing. To deactivate/activate the lock, press and hold for 3 seconds **OK/3s to unlock**.

ECO mode

In ECO mode, the appliance operates in the most efficient mode: the fridge compartment maintains a temperature of 5 °C and the freezer compartment is set to -18 °C. The temperature in both compartments cannot be adjusted.

To activate the mode, press the **FUNCTION** button until the ECO indicator flashes on the display, then press OK within 5 seconds.

To exit the mode, activate Fast Freezing or Fast Cooling mode or press the **FUNCTION** button until the icon of "ECO" is flickering, then press **OK** within 5 seconds.

Fast Cooling mode

Fast Cooling mode allows food to be cooled quickly and evenly in the fridge compartment at a temperature of 2 °C. Temperature adjustment is not available.

In this mode the refrigerator power consumption increases significantly, therefore the appliance will automatically exit the mode after 8 hours after its activation.

To activate the mode, press the **FUNCTION** button until the Fast Cooling indicator lights up, then press OK within 5 seconds.

To exit the mode, activate the ECO mode or press the **FUNCTION** button until the icon of "Fast Cooling" is flickering, then press **OK** within 5 seconds.

Fast Freezing mode

This mode allows to preserve the nutritional properties of frozen food, with the food completely frozen in the shortest possible time. The temperature is maintained at -32 °C. Temperature adjustment is not available.

In this mode the energy consumption of the refrigerator increases significantly, therefore the appliance will automatically exit the mode in 26 hours after its activation.

To activate the mode, press the **FUNCTION** button until the Fast Freezing indicator lights up, then press **OK** within 5 seconds.

To exit the mode, activate the ECO mode or press the **FUNCTION** button until the icon of "Fast Freezing" is flickering, then press **OK** within 5 seconds.

Setting the temperature in the fridge compartment

Press the FRIDGE button to select the desired temperature: 5 °C → 6 °C → 7 °C → 8 °C → OF → 2 °C → 3 °C → 4 °C → 5 °C, then press OK within 5 seconds. In the OF position, the refrigerator compartment and freshness zones will be turned off.

Setting the temperature in the freezer compartment

Press the **FRIDGE** button to select the desired temperature: -18 °C → -17 °C → -16 °C → -24 °C → -23 °C → -22 °C → -21 °C → -20 °C → -19 °C → -18 °C. Then press OK within 5 seconds.

Setting the fresh zones

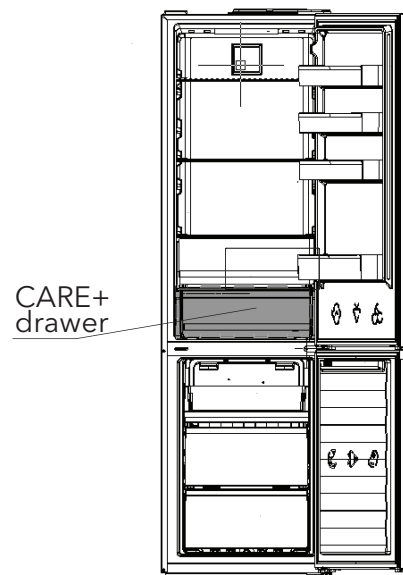
In the lower part of the fridge compartment there are two crisper drawers designed to keep vegetables, fruits, herbs, as well as meat and fish fresh thanks to the high humidity. The drawers can be removed from the refrigerator if necessary.

To maximize efficiency, the lower drawer can be set to one of three additional modes with the optimal temperature depending on the type of food. Press the **CARE+** button to select the appropriate mode in the following order: Vegetables → Fruit → Chill → Vegetables, then press **OK** within 5 seconds.

Note: the fresh zone setting is not available when the fridge compartment is switched off.

Vegetables mode is suitable for storing vegetables and herbs.

Fruit mode is suitable for storing fruits and berries.



Chill mode is suitable for storing fresh meat and fish.

If needed, the humidity level in all drawers can be adjusted using a special switch in the drawers.

Memory function

When the mains power is cut off, the appliance remembers the last settings and they will be automatically activated when power is restored.

Compressor protection

To protect against breakdown in the event of a short-term power failure (less than 5 minutes), the compressor will start after a 5-minute delay after the mains power is restored.

Alarm when the upper critical temperature point in the freezer compartment is reached

If the temperature in the freezer compartment rises above -10 °C during a prolonged power failure, the freezer compartment indicators on the display will flash. Press any button to display the current freezer temperature.

08 STORAGE

Fridge compartment

The fridge compartment is used for cooling, short-term storage of fresh and cooked foods, as well as eggs, vegetables, fruit and beverages. Cool foods to room temperature before placing them in the cold room. Store foods that have a specific odor or that absorb odors easily in a packaged container on the door shelf. Adjust the height of the shelves according to your preference.

Vegetables, fruits, herbs, fresh meat and fish should be stored in **crisper drawers**.

The temperature inside the fridge compartment depends on the location of the appliance, the ambient temperature, the number of products stored and how often the doors are opened.

Freezer compartment

The freezer compartment is designed for freezing and long-term storage of frozen food and making ice. Before freezing, it is recommended to divide the food into small portions and pack them.

Do not store fresh fruits and vegetables that are sensitive to cold in the freezer compartment.

Cold-sensitive fruits and vegetables such as citrus fruits, cucumbers, tomatoes, peppers, zucchini, eggplants, bananas, etc., as well as non-freezer-sensitive fruits and vegetables etc., as well as unripe fruits. Do not put glass containers or jars with liquid in the freezer - they may explode when the liquid freezes.

Do not store commercially frozen food products longer than recommended by the manufacturer of these products (indicated on the package). The following storage times are recommended for home-frozen foods:

- up to three months for fatty and salty foods;
- up to six months for cooked foods and foods with low fat content;
- up to one year for lean foods.

In case of power failure for more than 16 hours, defrosted products should be quickly consumed or cooked, and after cooling down, refrozen.

Energy saving tips

- Keep the appliance doors open as little as possible.
- It is recommended that the shelves in the fridge compartment and the door shelves are evenly spaced for proper air circulation. You may remove shelves and drawers if necessary, but using these shelves provides the most efficient energy consumption.
- Adjust the temperature in the fridge compartment as the ambient temperature changes.
- Pack food thoroughly and wipe containers dry before placing them in the appliance. This will help reduce ice buildup.
- Do not line drawers with aluminum foil, waxed paper or paper towels. Such linings interfere with cold air circulation and reduce cooling efficiency.
- Remove as much food as you need at a time and close the refrigerator door as soon as possible.

09 CLEANING AND MAINTENANCE

- Always unplug the appliance before cleaning.
- Avoid getting moisture on the control panel during cleaning.
- Wipe dust off the appliance and the surface on which it stands to ensure proper ventilation.
- To clean the housing, use a neutral cleaner, then wipe with a clean soft cloth. To clean the seals, use only clean warm water, then wipe with a soft cloth. Never use rough brushes or abrasive materials, boiling water or acidic products: they may damage the refrigerator inside and outside.
- To avoid unpleasant odor, clean the inside of the appliance with a weak solution of baking soda and then rinse with warm water using a soft sponge or cloth.
- Do not pour water on the appliance during cleaning to avoid short circuits or electric shocks. Do not use hard or abrasive materials, alcohol, flammable or toxic liquids when cleaning.
- Before washing the shelves, remove them from the refrigerator. After washing, dry them and put them back in place.

- The condenser grille on the back of the refrigerator (depends on the model) can be cleaned with a vacuum cleaner using the brush attachment.
- If you go away for a long period of time (for example, on vacation), store only the products whose shelf life allows you to do so.
- If the ambient air humidity is high, condensation may form on the surface of the appliance. Wipe it off with a soft, dry cloth.
- If you decide to cut off the power from the appliance, remove all food, clean the fridge and freezer compartments following the cleaning recommendations and leave the doors ajar to prevent unpleasant odors.

Defrosting

The refrigerator is equipped with Total No Frost system, so no frost forms on the walls and no defrosting is required. You only need to clean the inside and outside of the appliance from time to time.

Maintenance

The refrigerator must be serviced by an authorized service center; only original spare parts should be used for repairs. To replace the light bulb, also contact an authorized service center. Do not attempt to repair the appliance yourself. Repairs made by an incompetent person may cause injury or serious malfunction.

10 ERROR CODES

If the display shows codes indicating a malfunction in the refrigerator, contact an authorized service center.

Error code	Malfunction
Refrigerator indicator lights up and digital area flashes "E0".	Refrigerator Sensor Failure
The Care+ indicator lights up and the digital area flashes "Eb+"	The small changeable crisper sensor failure
Refrigerator indicator lights up and digital area flashes "E1"	Refrigerator evaporator sensor failure
The freezer indicator lights up and the digital area flashes "E0"	Freezer sensor failure
The freezer indicator lights up and the digital area flashes "E1"	Refrigerator evaporator sensor failure
EH	Ambient temperature sensor failure
E2	Refrigerator/Freezer sensor failure + refrigerator/freezer evaporator sensor failure
EC	Main display inter-board communication failure

11 TROUBLESHOOTING

Problem	Possible cause	Solution
The appliance does not work.	The plug is not in contact with the socket	Insert the plug all the way into the socket
	No voltage	Check the mains voltage
Strong odor	Food with a strong odor is stored in the appliance	Before storing strong odor foods in the appliance, pack them carefully
	Spoiled food is in the appliance	Check the freshness of the food and remove the spoiled food
	The appliance is heavily soiled	Clean the appliance
No lighting inside the appliance	No voltage	Check the mains voltage
	Bulb is defective	Replace the bulb
Compressor does not work	The compressor does not run continuously, after cooling to the required temperature it stops	Wait a while
	No voltage	Check if there is voltage in the mains
Compressor runs for a long time without stopping	The appliance is switched on for the first time or has been switched off for a long time	It takes several hours for complete cooling
	Hot food or too much food in the appliance	More time is needed for cooling
	The appliance door has been opened very often or for a long time	The air inside does not have enough time to cool down. Try to open the doors less often
The door does not close tightly	Too much food	Spread the food evenly
	The appliance is not level	Adjust the feet
Vibrating sound	The floor is uneven	Make sure that the appliance is level on a firm, level base
	The appliance is touching a wall or furniture	Move the appliance away
Increased noise	The appliance is not installed correctly: the piping is in contact with the refrigeration housing or with each other	Install the appliance according to the instruction manual

Problem	Possible cause	Solution
Doors open too tightly	The seal is stuck to the door on the side where it is hinged	Wash the door seal and the plane to which the door adheres with warm, soapy water and dry with a soft cloth
The door seal does not adhere properly to the casing	The seal and housing are dirty	
Too much ice is forming on the back of the fridge compartment	The door seal does not adhere properly to the casing	Try to open the doors less often
	The appliance doors have been opened very often or for a long time	
	The ambient temperature is too high or the temperature in the refrigerator compartment is too low	Adjust the temperature in the refrigerator compartment
	There is hot food in the appliance or the food is touching the rear wall of the fridge compartment	Place the food according to this instruction manual
Water is accumulating in the bottom of the refrigerator compartment	The appliance is tilted forward	Adjust the position of the appliance

WARNING!

Mechanical damage to the case and accessories is not a warranty case.

12 TRANSPORT AND STORAGE

- Before moving the appliance, remove all products, secure shelves, drawers, etc., with tape and tighten the leveling feet; close the doors and secure them with tape. Never turn the appliance upside down or horizontally; the appliance must not be subjected to vibration. The inclination during transportation should not exceed 45°.
- The appliance should be transported by all means of transport in accordance with the rules of cargo transportation.
- During transportation in the factory packing it is necessary to provide protection from damage, excluding the possibility of exposure to atmospheric precipitation and aggressive environment.
- In case of transportation without factory packing it is recommended to use air-bubble film and corrugated cardboard containers. Do not allow the device to be subjected to shock loads.
- Securely fasten the appliance to prevent it from moving inside the vehicle.
- Store the device packed indoors at air temperature from 5 to 40 °C and relative humidity up to 70 % at 25 °C.

13 DISPOSAL



To protect the environment, do not dispose of appliance and the batteries with household waste. Bring the appliance and batteries to specialized points for further disposal. For more information on the disposal of this product, contact your local authority, your household waste disposal service, or the retailer.

14 TECHNICAL SPECIFICATIONS

Model:	CRRF811	CRRF812	CRRF815	CRRF817	CRRF818
Color	white	silver	grey	glossy black	glossy white
Total Net Volume	405 L				
Refrigeration Net Volume	285 L				
Freezing Net Volume	120 L				
Compressor:	inverter				
Freezing capacity	5,5 kg/24 h				
Rated input power/defrost power	100 W				
Lamp power	10 W				
Energy Efficiency Class	A++				
Shock Protection Type	I				
Rated Voltage	220-240 V, 50 Hz				
Rated current	1 A				
Annual nominal power consumption	282 kW·h/year				
Climate Type	SN/N/ST/T				
Defrost system	Total No Frost				
Noise sound power value	up to 37 dB(A)				
Refrigerant/filling quantity	R600a/ 52 g				
Product dimensions (W x D x H)	595 x 660 x 2000 mm				
Net weight	65 kg				

15 SCOPE OF DELIVERY

- Refrigerator
- Set of accessories
- Instruction manual

16 WARRANTY

Organization for warranty service and acceptance of claims:

LLC "MVM", Russia, 105066, Moscow, Nizhnyaya Krasnoselskaya str., 40/12, building 20, floor 5, room II, room 3.

Phone: +7 (495) 644-28-48

18 EN

Information about the warranty conditions:

<https://www.eldorado.ru/spv>

or by phone Eldorado - 8 (800) 250 25 25

<https://www.mvideo.ru/spv>

or by phone M.Video - 8 (800) 600 77 75

The seller's warranty is 3 years from the date of sale (transfer) of the goods to the Customer.

17 ADDITIONAL INFORMATION

Manufacturer: Changhong Meiling Co., Ltd

Address: No. 2163, Lianhua Road, Economy-technology Development Zone, Hefei City, Anhui Province, China

Made in China

Importer/Manufacturer's authorized company:

LLC "MVM", Russia, 105066, Moscow, Nizhnyaya Krasnoselskaya str., 40/12, building 20, floor 5, room II, room 3.

E-mail: cert-log@mvideo.ru

Phone: +7 (495) 644-28-48

Installed by the manufacturer in accordance with paragraph 2 of article 5 of the Law of the Russian Federation "On Consumer Protection" the service life of this product is 7 years from the date of sale, provided that the product is used in accordance with the rules and recommendations set forth in this instruction manual and applicable technical standard.

There are no special conditions for the sale.

The date of manufacture is indicated (coded) in the serial number on the appliance, where the 1st symbol is the month in the form of a Latin letter. The serial number of this letter indicates the number of the month of manufacture: A - January, B - February, C - March, D - April, E - May, F - June, G - July, H - August, J - September, K - October, L - November, M - December. The 2nd digit is the last digit of the year of manufacture.

The product is certified, meets the requirements:

- TR TS 004/2011 "On the safety of low-voltage equipment",
- TR TS 020/2011 "Electromagnetic compatibility of technical means"
- TR EAEU 037/2016 "On the restriction of the use of hazardous substances in products of electrical engineering and radio electronics".



Добро пожаловать в клуб **CARRERA!**

История бренда начинается в 1980-е гг. в Германии, когда дизайнеры разработали первые линейки техники для дома и для ухода за собой.

Инженеры и дизайнеры **CARRERA** вдохновлялись легендарной Carrera Panamericana – самой долгой и опасной гонкой 1950-х. На победу в гонке могли рассчитывать лишь те, кто выкладывался до конца и был готов выйти за пределы возможностей человека и техники.

Эта философия и легла в основу всех продуктов **CARRERA**.

Для каждого устройства используются Hi-Tech компоненты и высококачественные материалы. Акцент делается на мощность, качество, инновационность и функциональный дизайн.

Такой подход нашел отклик в сердцах миллионов покупателей: в настоящий момент узнаваемость бренда в Европе достигла 90 %, а продукты **CARRERA** стали признанным воплощением немецкой точности и мастерства.

Сегодня **CARRERA** продолжает инвестировать в научные исследования и развитие. В каждом созданном продукте сочетается комфорт, производительность и роскошь.

CARRERA – это не просто техника. Это стиль жизни.

СОДЕРЖАНИЕ

01 МЕРЫ БЕЗОПАСНОСТИ	22
02 КЛИМАТИЧЕСКИЙ КЛАСС.....	25
03 НАЗНАЧЕНИЕ.....	26
04 СХЕМА ПРИБОРА	27
05 ПАНЕЛЬ УПРАВЛЕНИЯ.....	28
06 УСТАНОВКА	28
07 ЭКСПЛУАТАЦИЯ.....	29
08 ХРАНЕНИЕ ПРОДУКТОВ	32
09 ОЧИСТКА И УХОД	34
10 КОДЫ ОШИБОК	35
11 ПОРЯДОК ДЕЙСТВИЙ В СЛУЧАЕ ОБНАРУЖЕНИЯ НЕИСПРАВНОСТИ	35
12 ТРАНСПОРТИРОВКА И ХРАНЕНИЕ	37
13 УТИЛИЗАЦИЯ	37
14 ТЕХНИЧЕСКИЕ ХАРАКТЕРИСТИКИ	38
15 КОМПЛЕКТАЦИЯ.....	39
16 ГАРАНТИЯ	39
17 ДОПОЛНИТЕЛЬНАЯ ИНФОРМАЦИЯ.....	39

01 МЕРЫ БЕЗОПАСНОСТИ



Перед началом использования прибора внимательно ознакомьтесь с настоящей инструкцией по эксплуатации. Сохраняйте настоящую инструкцию по эксплуатации, чек, упаковочную коробку и по возможности другие элементы упаковки.

Производитель и дистрибьютор не несут ответственности за выход прибора из строя или за ущерб, возникший в результате неправильного или непредусмотренного настоящей инструкцией использования прибора.



Осторожно: опасность возгорания!

- Регулярно проверяйте прибор и его кабель для выявления механических повреждений и не используйте прибор в случае их обнаружения.
- Перед использованием прибора убедитесь в соответствии рабочего напряжения прибора и напряжения электросети.
- Подключайте прибор к розетке с заземлением.
- Подключайте прибор только к источнику переменного тока.
- Не рекомендуется подключать прибор к электросети при помощи удлинителей, разветвителей и переходников.
- Во избежание перегрузки электрической сети не рекомендуется включать одновременно несколько устройств с большим потреблением мощности.
- Не подключайте прибор к источнику питания до окончания установки.
- Не используйте прибор не по назначению.
- Не используйте прибор на открытом воздухе.
- Не используйте прибор в местах, где распыляются аэрозоли или есть легковоспламеняющиеся жидкости.
- Не размещайте прибор вблизи источников воды и других жидкостей, а также рядом с нагревательными или отопительными приборами.
- Берегите прибор и сетевой кабель от воздействия высоких температур, прямых солнечных лучей, сырости и прочих негативных воздействий.
- Не включайте прибор, если он упал, даже при отсутствии внешних повреждений до того, как его осмотрит специалист. Обратитесь в специализированный сервис.
- Следите, чтобы сетевой кабель прибора не соприкасался с горячими поверхностями и острыми предметами.

- Если вы не планируете использовать холодильник в течение длительного времени, а также во время технического обслуживания отключайте прибор от сети.
- При отключении прибора от сети держитесь за вилку, не тяните за кабель.
- В случае повреждения кабеля использование прибора запрещено.
- Прибор не предназначен для использования детьми, людьми с ограниченными физическими и умственными возможностями, а также людьми, не имеющими соответствующего опыта и знаний, без предварительного обучения, инструктажа и без присмотра ответственных за их безопасность лиц.
- Не разрешайте детям играть с прибором, аксессуарами, коробкой и прочими элементами упаковки во избежание травм или удушья.
- Запрещается самостоятельно ремонтировать прибор или вносить изменения в его конструкцию. Ремонт прибора должен производиться исключительно специалистом сервисного центра. При повреждении шнура питания его замену во избежание опасности должны производить изготовитель, сервисная служба или подобный квалифицированный персонал.
- Соблюдайте осторожность при транспортировке прибора, т. к. он достаточно тяжелый.
- Перед перемещением прибора выньте все продукты, зафиксируйте клейкой лентой дверцу и извлеките все полки и ящики. Закрутите до упора выравнивающие ножки.
- Во время установки и перемещения не держитесь за ручки дверцы, открытую дверцу, а также любые выступающие детали, например решетку конденсатора на задней стенке прибора, и не притрагивайтесь к системе компрессора.
- Во время установки и перемещения не наклоняйте прибор более чем на 45° по отношению к поверхности. Если такая ситуация возникла, выждите не менее четырех часов до подключения прибора к сети.
- Прибор необходимо установить таким образом, чтобы доступ к розетке был свободным.
- Для предотвращения поражения электрическим током запрещается одновременно касаться холодильника и прибора, имеющего естественное заземление (газовая плита, батарея отопления и др.).
- В холодильнике используется хладагент R600a – природный газ, не наносящий вреда окружающей среде, но являющийся легковоспламеняемым, поэтому необходимо соблюдать дополнительные меры предосторожности.

- В случае утечки бытового газа перекройте подачу газа, затем откройте двери и окна. Не отключайте прибор и другие электрические приборы из розетки.
- Запрещается удалять наледь и иней при помощи острых предметов, чтобы не повредить охлаждающий контур.
- Не храните в приборе щелочи, кислоты, лекарственные препараты без герметичной упаковки, горячие и взрывоопасные вещества и предметы (например аэрозольные баллончики). Не храните в морозильном отделении жидкости, содержащиеся в бутылках, алюминиевых банках или стеклянной таре – стекло или алюминиевые банки могут треснуть от мороза.
- Не размещайте в приборе чрезмерно много продуктов или горячие продукты. Перед тем как поместить продукты в морозильное отделение, дайте им остыть до комнатной температуры.
- Не допускайте, чтобы на полки морозильного отделения попадала поваренная соль.
- Растительные масла и жиры не должны попадать на пластмассовые детали прибора и на уплотнитель дверей (так как эти детали могут стать пористыми).
- Не прислоняйте продукты к задней стенке холодильного отделения вплотную – они могут примерзнуть.
- Не открывайте дверцу слишком часто, особенно в жаркую погоду, и не оставляйте ее открытой надолго.
- Не суйте пальцы в зазоры между дверцей и корпусом прибора.
- Не хлопайте дверцей прибора. Во избежание разрыва уплотнителя открывайте прибор только за ручки.
- Храните продукты в соответствии с указаниями изготовителя. Не рекомендуется размораживать и повторно замораживать продукты.
- Не кладите на прибор тяжелые предметы.
- При разгерметизации холодильной системы хорошо проветрите помещение и не используйте открытое пламя.
- Не реже одного раза в год с помощью сухой мягкой щетки или пылесоса очищайте от пыли элементы конструкции, расположенные сзади прибора, предварительно вынув из розетки вилку сетевого шнура.
- Отключайте прибор от электросети, вынув вилку из розетки, при:
 - мытье пола под ним;
 - уборке прибора внутри и снаружи, оттаивании морозильной камеры;
 - отключении напряжения электрической сети;
 - вашем отъезде на длительное время.

ВНИМАНИЕ!

В целях обеспечения пожарной безопасности, а также бесперебойной работы прибора в период его службы:

- **Не загораживайте вентиляционные отверстия, расположенные в корпусе прибора или во встраиваемой конструкции.**
- **Не складировать взрывоопасные объекты, в частности аэрозольные баллоны с воспламеняющимся наполнителем в приборе.**
- **Не используйте механические устройства или другие средства для ускорения процесса оттаивания, кроме рекомендуемых изготовителем.**
- **Не допускайте повреждения контура хладагента.**
- **Не подключайте прибор к электросети с неисправной защитой от токовых перегрузок.**
- **Не используйте электрические приборы внутри отделений для хранения продуктов, за исключением рекомендованных изготовителем.**
- **Запрещается использовать для подключения переходники, дополнительные розетки и удлинительные шнуры, которые могут привести к возгоранию прибора и преждевременному выходу из строя системы автоматике прибора.**
- **Не производите замену элементов электропроводки с помощью лиц, которые не имеют соответствующего разрешения (лицензии).**
- **Не эксплуатируйте прибор сверх срока службы (дальнейшая эксплуатация возможна только после замены всех элементов электропроводки прибора).**

02 КЛИМАТИЧЕСКИЙ КЛАСС

Климатический класс обозначен на стикере на корпусе прибора и указывает, в каком диапазоне внешней температуры рекомендуется использовать прибор.

Климатический класс	Диапазон температуры окружающей среды
SN	От +10 до +32 °C
N	От +16 до +32 °C
ST	От +16 до +38 °C
T	От +16 до +43 °C

Прибор допускается использовать только в пределах его климатического класса (указан в технических характеристиках прибора) в кухонных помещениях с относительной влажностью не более 70 %. Эксплуатация при температурах вне диапазона климатического класса может привести к поломке прибора.

При внешней температуре, не соответствующей климатическому классу прибора, холодильник может быть не в состоянии поддерживать желаемую температуру.

Запрещается эксплуатация прибора при отрицательной температуре окружающей среды.

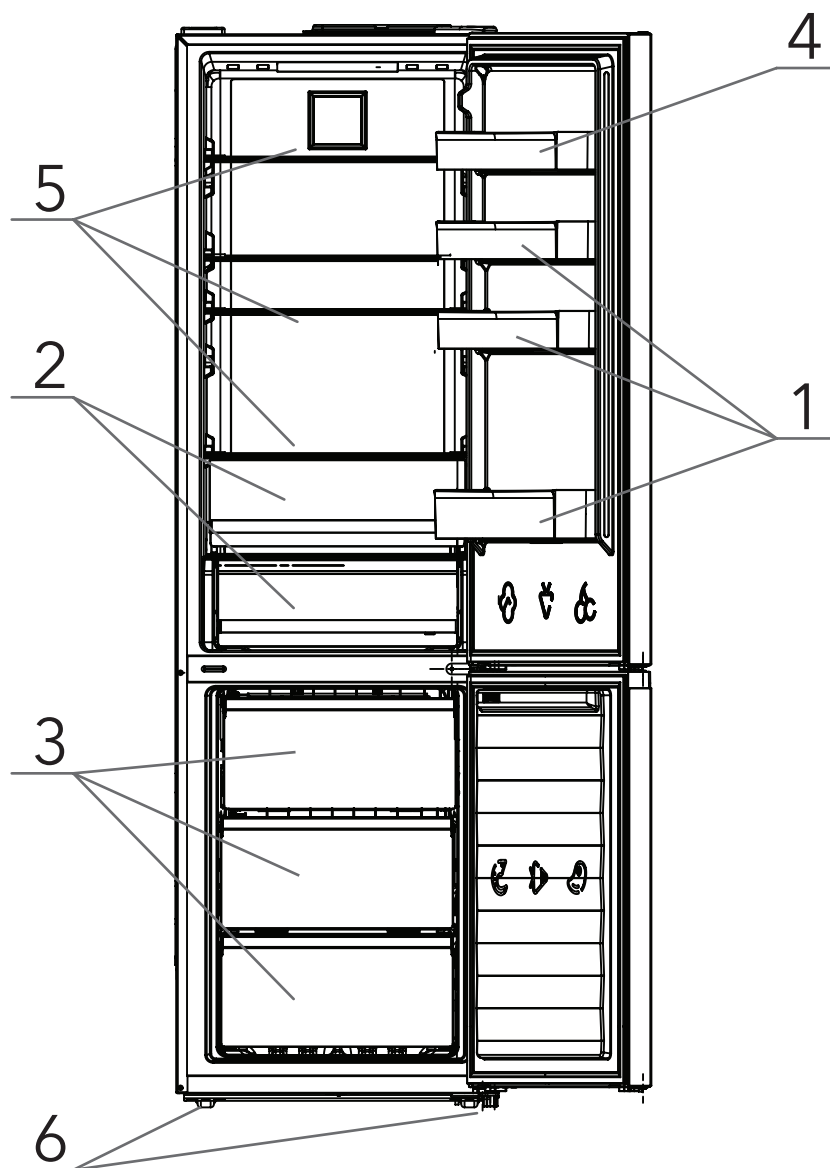
03 НАЗНАЧЕНИЕ

Холодильник предназначен для охлаждения и хранения свежих пищевых продуктов в холодильном отделении, а также для приготовления пищевого льда, замораживания и длительного хранения замороженных продуктов питания в морозильном отделении. Прибор не должен использоваться для хранения крови, лекарственных средств, биологических продуктов и т. д.

Этот прибор предназначен для использования в бытовых и подобных условиях:

- в кухонных зонах для персонала в магазинах, офисах и прочих производственных условиях;
- в фермерских постройках и клиентами в гостиницах, мотелях и прочей инфраструктуре жилого типа;
- в условиях режима пансиона «проживание плюс завтрак»;
- в общественном питании и подобных условиях, не связанных с торговлей.

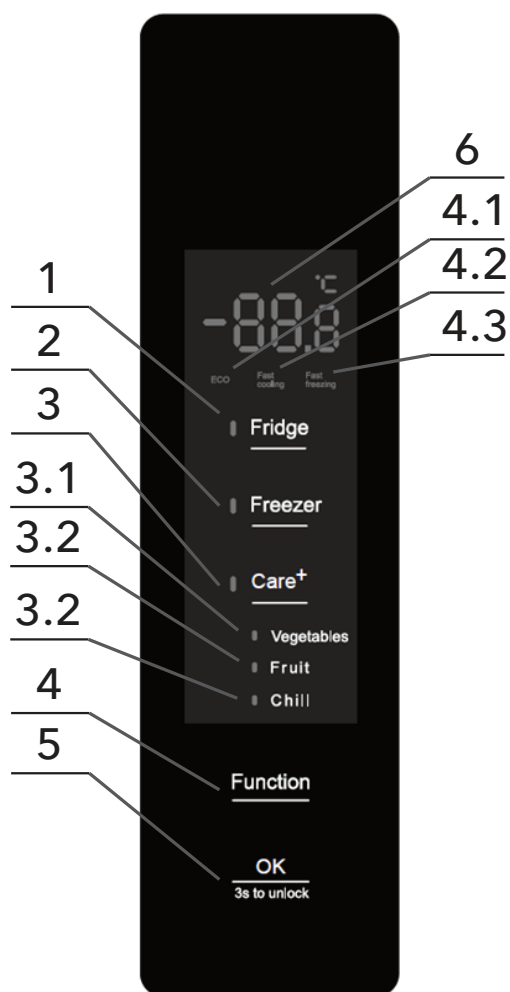
04 СХЕМА ПРИБОРА



1. Боковые полки холодильной камеры
2. Зоны свежести с повышенной влажностью для овощей и фруктов
3. Ящики морозильной камеры
4. Ящик для хранения косметических средств
5. Полки холодильной камеры
6. Регулируемые ножки

Примечание: изображение является схематичным и может отличаться от вашего холодильника.

05 ПАНЕЛЬ УПРАВЛЕНИЯ



1. Кнопка управления холодильной камерой
2. Кнопка управления морозильной камерой
3. Кнопка управления зоны свежести с высокой влажностью
 - 3.1. Режим зоны свежести «Овощи и зелень» (Vegetables)
 - 3.2. Режим зоны свежести «Фрукты и ягоды» (Fruit)
 - 3.3. Режим зоны свежести «Мясо и рыба» (Chill)
4. Кнопка выбора режимов ECO, «Быстрая заморозка» (Fast Freezing), «Быстрое охлаждение» (Fast Cooling)
 - 4.1. Индикатор режима ECO
 - 4.2. Индикатор режима «Быстрое охлаждение» (Fast Cooling)
 - 4.3. Индикатор режима «Быстрая заморозка» (Fast Freezing)
5. Кнопка отключения блокировки
6. Индикатор температуры

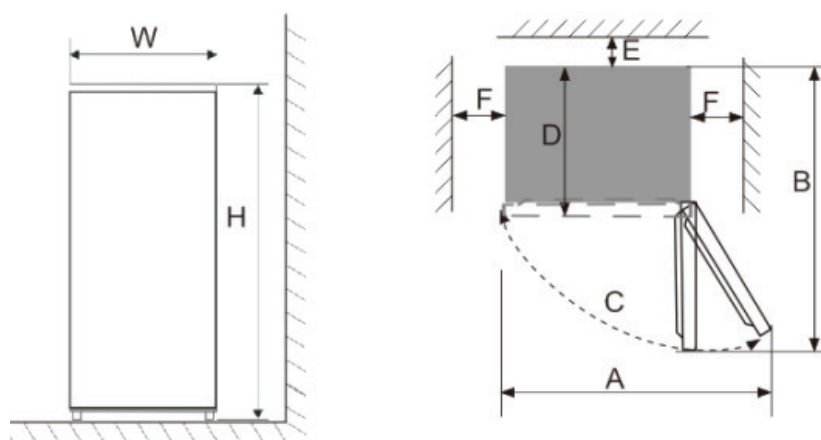
06 УСТАНОВКА

- После хранения или транспортировки прибора в условиях пониженной температуры перед включением необходимо выдержать его при комнатной температуре не менее 8 часов в упаковке в вертикальном положении.
- Снимите упаковку с прибора, освободите комплектующие изделия от упаковки. Вымойте комплектующие изделия и прибор теплой водой: наружную часть – моющим мыльным средством, а внутренние части – раствором пищевой соды. Затем насухо вытрите прибор внутри и снаружи мягкой тканью и тщательно проветрите его.
- Эксплуатировать прибор следует в нежилых (кухонных) помещениях; не рекомендуется устанавливать холодильник в спальнях. Следует учитывать, что работа холодильника сопровождается функциональными шумами и звуками.
- Определите место установки прибора. Его следует устанавливать вдали от источника тепла и прямых солнечных лучей, на расстоя-

нии не менее 50 см от нагревательных приборов: газовых и электрических плит, печей и радиаторов отопления. Устанавливайте прибор на твердой ровной поверхности. Избегайте мест с повышенной влажностью и мест, куда могут долетать брызги, например, от дождя.

- Место должно быть хорошо проветриваемое, с запасом свободного пространства вокруг холодильника. Обязательно обеспечьте возможность циркуляции воздуха вокруг прибора - не менее 5 см сзади прибора и не менее 10 см сбоку. Убедитесь, что дверцы открываются свободно. При установке холодильника ориентируйтесь на значения ниже:

W	D	H	A	B	C	E	F
59,9 см	67 см	201 см	87,2 см	122,5 см	120°	50 см	10 см



- При установке прибора выровняйте его при помощи передних регулируемых ножек.
- Установите комплектующие изделия и подключите прибор к сети.

ВНИМАНИЕ!

- **Не используйте для очистки прибора абразивные пасты и средства, содержащие кислоты и растворители.**
- **Холодильник не должен соприкасаться с металлическими раковинами, трубами водопровода, отопления, канализации и газоснабжения, с другими металлическими заземленными коммуникациями.**

Примечание: если прибор устанавливается на ковре или мягком половом покрытии, следует повторно отрегулировать высоту передних ножек после того, как прибор постоит несколько часов.

07 ЭКСПЛУАТАЦИЯ

Прибор разделен на две камеры: холодильную с двумя зонами свежести и морозильную. При открытии дверцы автоматически включается подсветка. Холодильник также оснащен панелью управления, с помо-

щью которой можно точно управлять и настраивать температуру каждого отделения и устанавливать различные режимы работы.

Эффективность работы инверторного компрессора автоматически регулируется в соответствии с температурой окружающей среды и заданной температурой для поддержания работы прибора в оптимальном состоянии.


Выбирайте отделение для размещения продуктов в зависимости от предполагаемого срока хранения и условий хранения, указанных на упаковке продукта.

Если дверца будет открыта более 3-х минут, прибор будет подавать звуковой сигнал. Для выключения сигнала закройте дверцу либо нажмите любую кнопку.

ВНИМАНИЕ!

- **Первое включение холодильника производите без загрузки продуктов. Прежде чем заполнять прибор любыми свежими или замороженными продуктами, дайте ему поработать в течение 2-4 часов, чтобы убедиться, что он работает исправно, а также чтобы температура достигла необходимого уровня.**
- **Жидкость и газы, циркулирующие в герметичной системе охлаждения холодильника, могут издавать некоторые шумы, как при работе компрессора, так и после отключения. Также могут быть слышны легкие потрескивания материалов под воздействием температурных деформаций, щелчки срабатывания регулятора температуры. Это не является неисправностью.**

Включение/отключение блокировки

При отсутствии активности более 3 минут панель управления автоматически переходит в режим блокировки . Это исключает случайное нажатие. Для отключения или активации блокировки нажмите и в течение 3 секунд удерживайте **OK/3s to unlock**.

Режим ECO

Режим ECO обеспечивает максимальное энергосбережение: в холодильном отделении поддерживается температура 5 °С, а в морозильном отделении устанавливается температура -18 °С. При этом регулировка температуры в обоих отделениях недоступна.

Чтобы включить режим, нажимайте кнопку **FUNCTION**, пока на дисплее не замигает индикатор ECO, и в течение 5 секунд нажмите **OK**.

Для выхода из режима переключите холодильник в режим быстрой заморозки или быстрого охлаждения либо снова выберите кнопкой **FUNCTION** режим ECO и нажмите **OK**.

Режим быстрой заморозки (Fast freezing)

Данный режим предназначен для сохранения питательных свойств замороженных продуктов, при этом продукты полностью замораживаются в кратчайшие сроки. Температура поддерживается на уровне -32 °C. Регулировка температуры недоступна.

Чтобы включить режим, нажимайте кнопку **FUNCTION**, пока на дисплее не замигает индикатор ECO, и в течение 5 секунд нажмите **OK**.

Для выхода из режима переключите холодильник в режим быстрой заморозки или быстрого охлаждения либо снова выберите кнопкой **FUNCTION** режим ECO и нажмите **OK**.

Режим быстрой заморозки (Fast Freezing)

Данный режим предназначен для сохранения питательных свойств замороженных продуктов, при этом продукты полностью замораживаются в кратчайшие сроки. Температура поддерживается на уровне -32 °C. При этом регулировка температуры недоступна.

В этом режиме значительно увеличивается энергопотребление холодильника, поэтому прибор автоматически выйдет из режима через 26 часов после его активации.

Для включения режима нажимайте кнопку **FUNCTION**, пока не загорится индикатор быстрого замораживания Fast Freezing, и в течение 5 секунд нажмите **OK**.

Для выхода из режима переключите холодильник в режим ECO либо снова выберите кнопкой **FUNCTION** режим быстрой заморозки и нажмите **OK**.

Настройка температуры в холодильном отделении

Нажимая кнопку FRIDGE, выберите нужную температуру: 5 °C → 6 °C → 7 °C → 8 °C → OF → 2 °C → 3 °C → 4 °C → 5 °C. Нажмите OK. В положении OF холодильная камера и зоны свежести будут выключены.

Настройка температуры в морозильном отделении

Нажимая кнопку FREEZER, выберите нужную температуру: -18 °C → -17 °C → -16 °C → -24 °C → -23 °C → -22 °C → -2 °C → -20 °C → -19 °C → -18 °C. Нажмите OK.

Настройка зон свежести

В нижней части холодильной камеры расположены два ящика, предназначенных для сохранения свежести овощей, фруктов, зелени, а также мяса и рыбы благодаря повышенной влажности. Ящики при необходимости можно убрать из холодильника.

Для максимально эффективного использования нижний ящики можно настроить на один из трех дополнительных режимов с оптимальной температурой в зависимости от типа продукта. Нажимая кнопку **CARE+**,

выберите подходящий режим в следующем порядке: Vegetables → Fruit → Chill → Vegetables. Нажмите **OK**.

Примечание: настройка зон свежести не доступна, если холодильное отделение отключено.

Режим *Vegetables* подходит для хранения овощей и зелени.

Режим *Fruit* подходит для хранения фруктов и ягод.

Режим *Chill* подходит для хранения свежего мяса и рыбы.

При необходимости во всех ящиках можно отрегулировать уровень влажности с помощью специального переключателя в ящиках.



Функция памяти

При отключении питания в сети прибор запоминает последние установленные настройки, и при возобновлении питания они будут автоматически восстановлены.

Защита компрессора

Для защиты от поломки при кратковременном отключении питания (менее 5 минут) после возобновления подачи питания в сети компрессор заработает с задержкой в 5 минут.

Сигнал при достижении верхней критической температурной точки в морозильной камере

Если во время длительного отключения питания температура в морозильной камере поднимется выше -10°C , индикация морозильной камеры на дисплее начнет мигать. Для отображения текущей температуры морозильной камеры нажмите любую кнопку.

08 ХРАНЕНИЕ ПРОДУКТОВ

Холодильная камера

Холодильная камера предназначена для охлаждения, кратковременного хранения свежих и прошедших кулинарную обработку продуктов, а также яиц, овощей, фруктов и напитков. Охлаждайте продукты до комнатной температуры перед тем, как поместить в холодильную камеру. Продукты, обладающие специфическим запахом или легко его впитывающие, храните в упакованном виде на дверной полке. Регулируйте высоту полок в зависимости от ваших предпочтений.

Овощи, фрукты, зелень, свежие мясо и рыбу рекомендуется хранить в **ящиках-зонах свежести**.

Температура внутри отделений также зависит от места расположения прибора, температуры окружающей среды, количества хранимых продуктов; также влияет то, насколько часто открываются дверцы.

Морозильная камера

Морозильная камера предназначена для замораживания и длительного хранения замороженных продуктов, а также для приготовления пищевого льда. Перед замораживанием продукты рекомендуется разделить на небольшие порции и герметично упаковать.

Не храните в морозильной камере свежие фрукты и овощи, чувствительные к холоду: цитрусовые, огурцы, помидоры, перец, кабачки, баклажаны, бананы и т. п., а также неспелые плоды. Не ставьте в морозильную камеру стеклянные контейнеры или банки с жидкостью – они могут взорваться, когда жидкость замерзнет.

Не храните быстрозамороженные в промышленных условиях пищевые продукты дольше, чем это рекомендовано изготовителем этих продуктов (указано на упаковке). Для продуктов, замороженных в домашних условиях, рекомендованы следующие сроки хранения:

- для жирных и соленых продуктов – до трех месяцев;
- для продуктов после кулинарной обработки и продуктов с небольшим содержанием жира – до полугода;
- для постных продуктов – до одного года.

При отключении электроэнергии в сети более 16 ч. размороженные продукты следует быстро употребить в пищу или немедленно подвергнуть тепловой обработке, а после остывания повторно заморозить.

Рекомендации по энергосбережению

- Как можно меньше держите дверцы прибора открытыми.
- Полки в холодильном отделении и дверные полки рекомендуется располагать равномерно по высоте для необходимой циркуляции воздуха. При необходимости вы можете извлечь съемные комплектующие изделия, однако использование этих комплектующих обеспечивает наиболее эффективное энергопотребление.
- Регулируйте температуру в холодильном отделении при изменении температуры окружающей среды.
- Тщательно упаковывайте еду, а также вытирайте контейнеры насухо, перед тем как поместить в прибор. Это поможет уменьшить образование наледи.
- Не прокладывайте ящики для хранения продуктов алюминиевой фольгой, вощеной бумагой или бумажными полотенцами. Такие подкладки мешают циркуляции холодного воздуха, и это снижает эффективность охлаждения.
- Извлекайте максимальное количество необходимых продуктов за раз и закрывайте дверцу холодильника как можно скорее.
-

09 ОЧИСТКА И УХОД

- Всегда отключайте прибор от сети перед началом чистки.
- Во время чистки избегайте попадания влаги на дисплей.
- Своевременно вытирайте пыль с прибора, а также с поверхности, на которой он стоит, чтобы обеспечить надлежащую вентиляцию.
- Для очистки корпуса используйте нейтральное чистящее средство, затем протрите чистой мягкой тряпочкой. Для очистки уплотнителей используйте только чистую теплую воду, после протрите их мягкой тряпочкой. Ни в коем случае не применяйте спиртосодержащие, огнеопасные или токсичные жидкости. Не используйте грубые щетки и абразивные материалы, кипятки или кислотосодержащие средства: они могут повредить холодильник как внутри, так и снаружи.
- Во избежание неприятного запаха протрите прибор изнутри слабым раствором соды, а затем промойте теплой водой с помощью мягкой губки или ткани.
- Не поливайте прибор водой во время чистки, чтобы избежать короткого замыкания или поражения электрическим током.
- Полки необходимо мыть, предварительно сняв их с холодильника. После мытья высушите их и установите на место.
- Решетку конденсатора с обратной стороны холодильника (наличие зависит от модели) можно почистить пылесосом с помощью щетки-насадки.
- Если вы уезжаете на длительный срок (например, в отпуск), оставьте в приборе только продукты, срок хранения которых позволяет это сделать.
- При повышенной влажности окружающего воздуха возможно образование конденсата на поверхности прибора. Вытирайте его мягкой сухой салфеткой.
- Если вы решили отключить питание прибора, то выньте все продукты, почистите холодильное и морозильное отделения, следуя рекомендациям по очистке, и оставьте двери приоткрытыми во избежание затхлого запаха.

Размораживание

Холодильник оснащен системой Total No Frost, поэтому иней не образуется на стенках и размораживание не требуется. Периодически необходимо лишь производить чистку прибора внутри и снаружи.

Техническое обслуживание

Холодильник должен обслуживаться специалистами авторизованного сервисного центра; для ремонта должны использоваться только оригинальные запчасти. Для замены лампочки также обратитесь в авторизованный сервисный центр.

Не пытайтесь починить прибор самостоятельно. Ремонт, производимый

некомпетентным лицом, может привести к травмам или вызвать серьезную неисправность.

10 КОДЫ ОШИБОК

При высвечивании на дисплее кодов, означающих неисправность в холодильнике, обратитесь в авторизованный сервисный центр.

Код ошибки	Значение
E0 + мигает индикатор холодильной камеры	Неисправность датчика холодильной камеры
Eb + мигает индикатор зоны свежести	Неисправность датчика нижнего ящика-зоны свежести
E0 + мигает индикатор морозильной камеры	Неисправность датчика морозильной камеры
E1 + мигает индикатор холодильной камеры	Неисправность датчика испарителя холодильной камеры
E1 + мигает индикатор морозильной камеры	Неисправность датчика испарителя морозильной камеры
EH	Неисправность датчика температуры окружающей среды
E2	Неисправность датчика холодильной/морозильной камеры + неисправность датчика испарителя холодильной/морозильной камеры
EC	Обрыв связи между основной платой управления и платой дисплея

11 ПОРЯДОК ДЕЙСТВИЙ В СЛУЧАЕ ОБНАРУЖЕНИЯ НЕИСПРАВНОСТИ

Неисправность	Возможная причина	Решение
Прибор не работает	Отсутствует контакт вилки с розеткой	Вставьте вилку в розетку до конца
	Отсутствие напряжения в сети	Проверьте наличие напряжения в электрической сети
Неприятный запах	В приборе хранятся продукты с сильным запахом	Перед тем, как поместить продукты с сильным запахом на хранение в прибор, тщательно упаковывайте их
	В приборе находятся испорченные продукты	Проверьте свежесть продуктов и выбросьте испортившиеся
	Прибор сильно загрязнен	Очистите камеру прибора

Неисправность	Возможная причина	Решение
Отсутствует освещение внутри прибора	Отсутствие напряжения в сети	Проверьте наличие напряжения в электрической сети
	Лампа неисправна	Замените лампочку
Компрессор не работает	Компрессор не работает постоянно, после охлаждения до необходимой температуры он останавливается	Подождите некоторое время
	Отсутствие напряжения в сети	Проверьте наличие напряжения в электрической сети
Компрессор долго работает без остановки	Прибор включен первый раз или долго стоял выключенным	Для полного охлаждения требуется несколько часов
	В приборе находятся горячие продукты или слишком много продуктов	Требуется больше времени на охлаждение
	Очень часто или надолго были открыты двери прибора	Воздух внутри не успевает охлаждаться. Старайтесь реже открывать двери
Дверца не закрывается плотно	Слишком много продуктов	Распределите продукты равномерно
	Прибор установлен неровно	Отрегулируйте ножки
Вибрирующий звук	Пол неровный или прогибается	Убедитесь, что прибор ровно стоит на жестком ровном основании
	Прибор касается стены или мебели	Отодвиньте прибор
Повышенный шум	Прибор неправильно установлен: трубопроводы соприкасаются с корпусом холодильного или между собой	Установите прибор в соответствии с разделом об установке
Дверцы открываются слишком туго	Уплотнитель прилип к двери со стороны, где она навешана	Промойте уплотнитель двери и плоскость шкафа, к которой прилегает дверь, теплой мыльной водой и насухо вытрите мягкой тканью
Уплотнитель двери плохо прилегает к корпусу	Уплотнитель и корпус загрязнены	
На задней стенке холодильной камеры образовывается слишком много льда	Уплотнитель двери плохо прилегает к корпусу	Старайтесь реже открывать двери
	Очень часто или надолго были открыты двери прибора	
	Слишком высокая температура окружающей среды либо слишком низкая температура в холодильной камере	Отрегулируйте температуру в холодильном отделении
	В приборе находятся горячие продукты либо продукты касаются задней стенки холодильной камеры	Разместите продукты в соответствии с данным руководством пользователя

Неисправность	Возможная причина	Решение
В нижней части холодильной камеры скапливается вода	Прибор установлен с наклоном вперед	Отрегулируйте положение прибора

ВНИМАНИЕ!

Механические повреждения корпуса, аксессуаров и комплектующих частей не являются гарантийным случаем.

12 ТРАНСПОРТИРОВКА И ХРАНЕНИЕ

- Перед перемещением прибора извлеките все продукты, закрепите полки, выдвижные ящики и т. д., заклейте скотчем и затяните выравнивающие ножки; закройте дверцы и закрепите их скотчем. Ни в коем случае не поворачивайте прибор вверх дном или горизонтально; прибор не должен подвергаться вибрации. Наклон во время движения должен составлять не более 45°.
- Транспортировка прибора проводится всеми видами транспорта в соответствии с правилами перевозки грузов.
- При транспортировке в заводской упаковке необходимо обеспечить защиту от повреждений, исключив возможность воздействия атмосферных осадков и агрессивной среды.
- При транспортировке без заводской упаковки рекомендуется использовать воздушно-пузырьковую пленку и тару из гофрированного картона. Не допускайте, чтобы прибор подвергался ударным нагрузкам.
- Надежно закрепляйте прибор, чтобы не допустить его перемещение внутри транспортного средства.
- Храните прибор в упакованном виде в помещениях при температуре воздуха от 5 до 40 °С и относительной влажности воздуха до 70 % при 25 °С.

13 УТИЛИЗАЦИЯ



В целях защиты окружающей среды после окончания срока службы прибора не выбрасывайте его вместе с обычными бытовыми отходами. Передайте прибор пункты для дальнейшей утилизации. При утилизации прибора демонтируйте дверцы и снимите дверной уплотнитель, перережьте кабель питания, а также вытащите полки; утилизируйте двери и полки отдельно.

Отходы, образующиеся при утилизации изделий, подлежат обязательному сбору с последующей утилизацией в установленном порядке. Для получения дополнительной информации об утилизации данного прибора

обратитесь в службу утилизации бытовых отходов или в магазин, где вы приобрели данный прибор.

14 ТЕХНИЧЕСКИЕ ХАРАКТЕРИСТИКИ

Модель	CRRF811	CRRF812	CRRF815	CRRF817	CRRF818
Цвет:	белый	серебристый	серый	глянцевый черный	глянцевый белый
Общий полезный объем:	405 л				
Общий полезный объем холодильного отделения:	285 л				
Общий полезный объем морозильного отделения:	120 л				
Тип компрессора:	инверторный				
Замораживающая способность:	5,5 кг/24 ч				
Номинальная потребляемая мощность/ потребляемая мощность нагревательной системы:	100 Вт				
Мощность лампы:	10 Вт				
Класс энергоэффективности:	A++				
Класс защиты от поражения электрического тока	I				
Напряжение:	220-240 В, 50 Гц				
Номинальный ток:	1 А				
Расход электроэнергии:	282 кВт·ч/год				
Климатический класс:	SN/N/ST/T				
Размораживание:	Total No Frost				
Уровень шума:	до 37 dB(A)				
Хладагент:	R600a/52 г				
Размер холодильника (Ш x Г x В):	595 x 660 x 2000 мм				
Масса нетто:	65 кг				

15 КОМПЛЕКТАЦИЯ

- Холодильник
- Набор комплектующих изделий
- Руководство пользователя
- Гарантийный талон

16 ГАРАНТИЯ

Организация по гарантийному обслуживанию и принятию претензий: ООО «МВМ», Россия, 105066, г. Москва, ул. Нижняя Красносельская, д. 40/12, корпус 20, этаж 5, помещение II, комната 3.

Информация об условиях гарантии:

<https://www.eldorado.ru/spv>

или по телефону Эльдorado - 8 (800) 250-25-25

<https://www.mvideo.ru/spv>

или по телефону М.Видео - 8 (800) 600-77-75

Гарантия продавца - 3 года с момента продажи (передачи) товара Покупателю.

17 ДОПОЛНИТЕЛЬНАЯ ИНФОРМАЦИЯ

Изготовитель: Changhong Meiling Co., Ltd

Адрес: No. 2163, Lianhua Road, Economy-technology Development Zone, Hefei City, Anhui Province, Китай

Сделано в Китае

Импортер/Уполномоченное изготовителем лицо: ООО «МВМ», Россия, 105066, г. Москва, ул. Нижняя Красносельская, д. 40/12, корпус 20, этаж 5, помещение II, комната 3.

Телефон: +7 (495) 644-28-48

E-mail: cert-log@mvideo.ru

Установленный производителем в соответствии с п. 2 ст. 5 Закона РФ «О защите прав потребителей» срок службы данного изделия равен 7 годам с даты продажи при условии, что изделие используется согласно правилам и рекомендациям, изложенным в настоящей инструкции по эксплуатации, и применяемым техническим стандартам.

Специальные условия реализации не установлены.

Дата изготовления указана (закодирована) в серийном номере на приборе, где 1-й сим-вол - месяц в виде латинской буквы. Порядковый номер этой буквы указывает на номер месяца изготовления: А - январь, В - февраль, С - март, D - апрель, Е - май, F - июнь, G - июль, Н - август, J - сентябрь, К - октябрь, L - ноябрь, М - декабрь. 2-я цифра - последняя цифра года производства.

Товар сертифицирован, соответствует требованиям:

- ТР ТС 004/2011 «О безопасности низковольтного оборудования»
- ТР ТС 020/2011 «Электромагнитная совместимость технических средств»
- ТР ЕАЭС 037/2016 «Об ограничении применения опасных веществ в изделиях электротехники и радиоэлектроники».

Изготовитель оставляет за собой право изменения комплектации, технических характеристик и внешнего вида товара.



ДЛЯ ЗАМЕТОК

Blank lined area for notes.

CARRERA

DESIGNED IN GERMANY

www.carrera.de