

CARRERA

DESIGNED IN GERMANY

EN SLOW JUICER

Instruction manual

RU ШНЕКОВАЯ СОКОВЫЖИМАЛКА

Инструкция по эксплуатации



№ 775

www.carrera.de

Welcome to the **CARRERA** club!

The story of **CARRERA** starts in the 80' in Germany as a lifestyle across two product categories: personal care and home appliances.

CARRERA engineers and designers were inspired by the legendary Carrera Panamericana, the longest and the most challenging race in the 50'. Only the racers who were ready to go beyond the limitations of their own bodies and materials stood a chance of winning.

Today, that same philosophy drives **CARRERA** unique and powerful products.

Each product is made of hi-tech components and quality materials outlining power, quality, innovative features and effective design.

This approach resonated with millions of people, boosting **CARRERA** brand recognition in Europe up to 90%. **CARRERA** products have become an embodiment of German precision and craftsmanship.

Today, **CARRERA** continues to invest into research and development. Each CARRERA product provides users with a sense of luxury, comfort and efficacy.

CARRERA is not just about tools. It is about a lifestyle.

CONTENT

01 SAFETY PRECAUTIONS	4
02 INTENDED USE	5
03 APPLIANCE OVERVIEW	6
04 BEFORE USE	7
05 OPERATION	8
06 CLEANING & MAINTENANCE	9
07 TROUBLESHOOTING	10
08 DISPOSAL	11
09 TRANSPORT AND STORAGE	11
10 TECHNICAL SPECIFICATIONS	11
11 SCOPE OF DELIVERY	12
12 WARRANTY	12
13 ADDITIONAL INFORMATION	12

01 SAFETY PRECAUTIONS

These safety precautions are critical part of the instruction manual. Please read them all carefully before using the appliance for the first time. You may keep the manual for future reference or pass it to other users. Always handle the appliance with care and warn other users of the potential danger.

WARNING!

Improper use of the appliance may result in injury.

- Make sure that the mains voltage stated on the rating plate corresponds to the local electricity supply. Check the appliance for mechanical damage. Do not use the appliance if any is found.
- The appliance is not recommended to be connected to the mains using extension cords, splitters and adapters.
- In order to avoid overloading the electrical network, it is not recommended to turn on several appliances with high power consumption at the same time.
- The appliance is recommended to be connected to a grounded outlet.
- Do not connect the appliance to the power source before finishing assembly and adjustment.
- Do not use appliance for other than intended use.
- Place the appliance on a firm and steady surface.
- Do not use or place the appliance on a wet or hot surface.
- Do not use the appliance in outdoor environment. This appliance is designed for household use only.
- Do not use the appliance in places where aerosols are sprayed or flammable liquids are present.
- Do not allow water or other liquids to come into contact with the electrical connector of the appliance.
- Do not place the appliance near sources of water or other liquids, or near heating appliances. Do not immerse the appliance in water or any liquids. Do not touch it with wet hands. Disconnect the appliance immediately from the mains if it got wet.
- Keep the appliance and power cable away from high temperatures, direct sunlight, moisture and other negative influences.
- Do not turn the appliance on if it was dropped, even if there is no external damage, until it is inspected by a qualified specialist.
- Do not process anything other than vegetables, fruits, berries or greens suitable for processing in the appliance.
- Do not turn the appliance on without any products in it and do not overload it.
- Do not open the lid of the working appliance.

- Do not allow the appliance to run for more than 20 minutes continuously.
- Make sure that your clothes and hair do not hang over the working appliance.
- Do not leave the appliance unattended when it is connected to the mains supply.
- Do not let cord hang over the edge of table or counter or touch hot surface. Do not place the cord on a sharp edge of an item.
- This appliance should not be used by children. Keep the appliance and its cord out of children's reach. Do not allow children to play with the appliance, accessories, box or other packaging to avoid injury or suffocation.
- Do not pull the cable, when disconnecting the appliance from the mains. Do not wind the cable around the appliance. Do not try to carry the appliance by the cable.
- The appliance can be used by persons (including children) with reduced physical, sensory or mental capabilities or lack of experience and knowledge if they are under supervision or have been given instruction concerning use of the appliance in a safe way and understand the hazards involved.
- Regularly check the appliance and its cable for mechanical damage and do not use the appliance if any is found. It is forbidden to repair the appliance or make changes to its design on your own. Do not attempt to open the main body or dismantle any parts from the appliance. Repair of the appliance or replacement of the power cord must be carried out in a specialized service center only.
- If the power cord is damaged, it must be replaced by a qualified specialist to avoid any hazard.

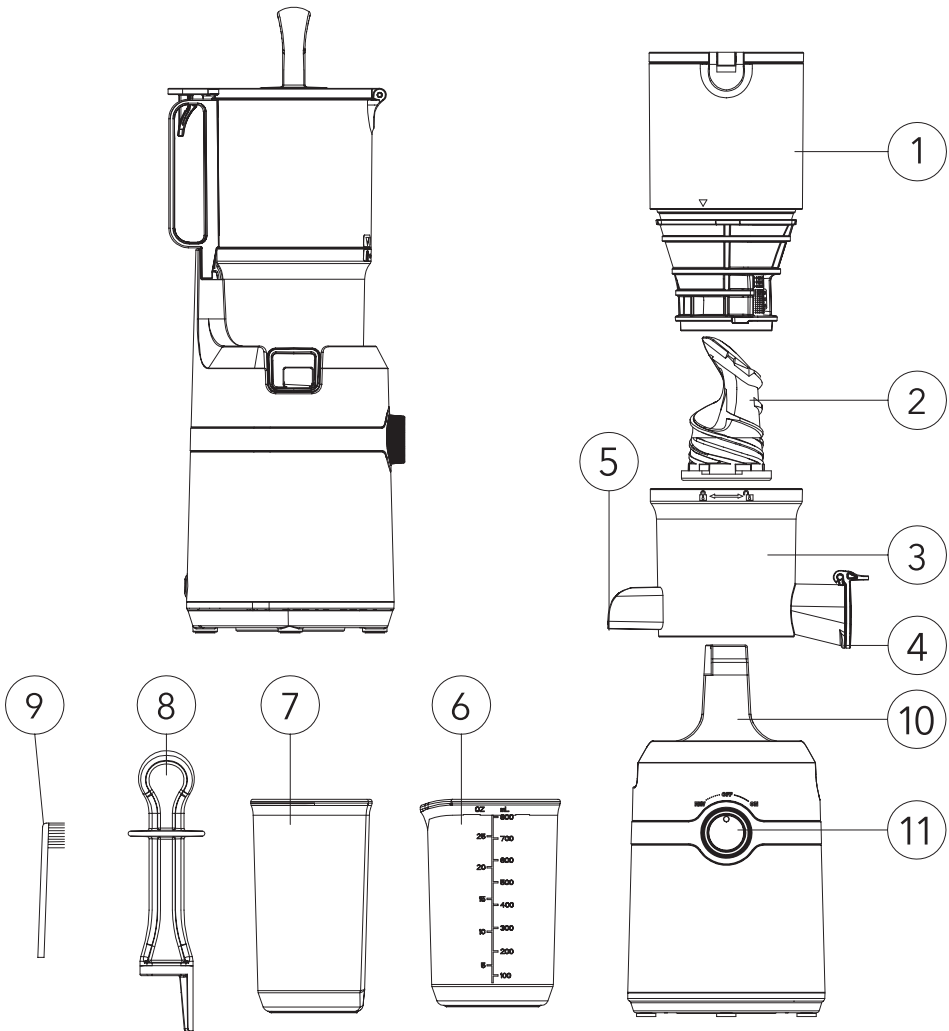
02 INTENDED USE

The slow juicer is designed for making natural juices from fruits, berries, greens and vegetables (apples, pineapples, peaches, kiwi, grapes, oranges, tomatoes, bell peppers, carrots, celery, spinach, etc.).

You will always have fresh tasty fresh juices full of vitamins, minerals and antioxidants on your table.

The appliance is intended for use in residential and commercial environments in accordance with its intended use and the safety precautions described in the instruction manual.

03 APPLIANCE OVERVIEW



- 1. Feeding bowl with a lid
- 2. Auger
- 3. Juice container
- 4. Juice spout
- 5. Pulp spout
- 6. Juice cup

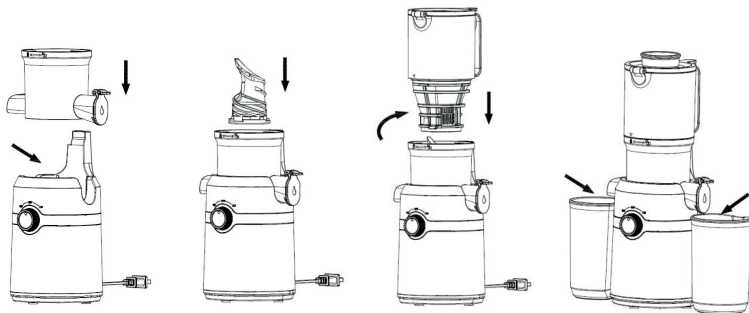
- 7. Pulp cup
- 8. Pusher
- 9. Cleaning brush
- 10. Power base
- 11. Power switch

04 BEFORE USE

- After storage or transportation at low temperatures, keep the appliance in a warm room for two hours before turning it on.
- Remove all packaging materials from the appliance. Make sure that the accessories of the appliance fit the description, and that the appliance is not damaged.
- Wipe the body of the appliance with a damp cloth and wipe dry. Place on a firm, stable surface.
- Wash all removable parts with a mild detergent. Unwind and straighten the power cord.

Assembling

1. Insert the juice container (3) into the housing until it locks in place.
2. Place the auger (2) in the center of the container. It should touch the bottom of the container.
3. Place the feeding bowl (1) on the container. The mark ▲ on the loading bowl must match the mark 🔒 on the container. Turn the bowl clockwise until it clicks in place to make the marks 🔒 and ▲ on both the bowl and the container align.
4. Place the juice cup and the pulp cup under the corresponding spouts.



WARNING!

When installing the feeding bowl, the lid of the bowl must be open, otherwise you will not be able to install the bowl correctly. It is also necessary to open the lid to remove the bowl.

Preparing fruits & vegetables

- Use fresh produce to make good quality juice. If you want to use frozen products, defrost them first.
- Rinse the products thoroughly.
- If the fruit contains large seeds (cherries, plums), remove them.
- Peel the products (orange, grapefruit), if necessary.

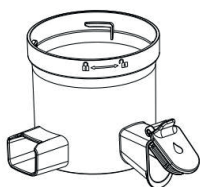
- Cut the products into cubes (approximately 5 × 5 cm) or strips (5 × 3 cm). Fibrous fruits and vegetables (carrots, beets) should be cut into 5-10 cm strips or 3 × 3 cm cubes.

WARNING!

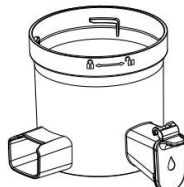
Very hard, fibrous, soft or starchy products such as bananas, mangoes, strawberries and avocados are not suitable for this appliance.

05 OPERATION

- Make sure that the switch is in the «Off» position and connect the appliance to the mains supply with the appropriate characteristics. The cups for the juice and pulp must be under the appropriate sprouts.
- Put the products into the feeding bowl. Close the lid. Turn the power switch to the «On» position.
- If a jam forms in the juice container during operation, turn the switch to the R (reverse) position.
- You can keep the the lid closed until the container is completely full.



Juicer spout is opened



Juicer spout is closed

- At the end of the operation turn the switch to the «Off» position. Drain the juice from the container into a glass or other suitable container. Wash all removable parts with warm water and mild detergent.
- Unplug the appliance.

Recommendations for use

- Add products to the appliance gradually: do not rush, wait until the previous batch has been fully processed.
- For better juice quality, combine high and low fiber foods (e.g. celery and carrots). You can also mix soft fruits with a high sugar content and hard fruits with a high water content (e.g. apples and pears).
- Cover the juice sprout with the lid to avoid drips. Use the lid also to mix juices from different ingredients in the right proportions.

WARNING!

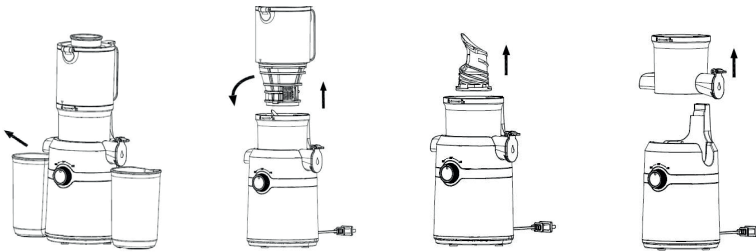
- **Do not operate the appliance for more than 20 minutes continuously to avoid overheating.**

- To open the lid of the feeding bowl, press the catch into the groove of the handle.
- Do not use the appliance to chop ice.
- In case of overheating, the appliance will switch off automatically. Turn the switch to the «Off» position and wait at least 10 minutes before turning it on again.
- Do not push food into the bowl with your fingers or foreign objects. Use the pusher supplied with the appliance.

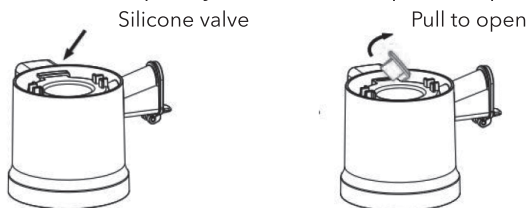
06 CLEANING & MAINTENANCE

Always unplug the appliance before cleaning it. Clean the appliance after each use, otherwise pulp residue may stick to the container and auger, making it difficult to assemble and clean the appliance and impairing performance.

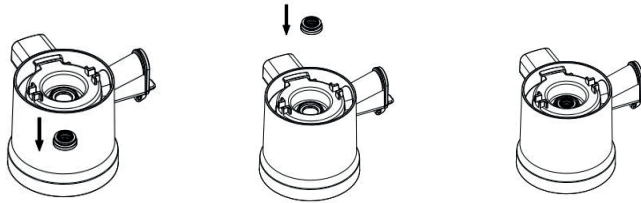
- Remove the feeding bowl by turning it counterclockwise until the bowl mark ▲ aligns with the mark 🔒 on the container. Remove the auger; if it does not yield, gently rock it from side to side. Remove the container by pulling it upwards.



- Clean the housing with a slightly damp cloth or sponge, without abrasive detergents.
- Wash all removable parts with warm water (not hotter than 40 °C) and mild detergent. If necessary, use the cleaning brush. The removable parts can be washed in the dishwasher.
- If there is any residual pulp in the juice container, remove the rubber valve and rinse it under the tap. Dry the valve and put it in place.



- Clean the seal ring if necessary. Remove it from the base – you can turn the base upside down for convenience – and rinse with water. Dry thoroughly. Put the ring in place with the narrow ribbed side facing up.
- Dry the appliance thoroughly before storing it.



- Store the appliance in a cool, dark place, out of children's reach. When storing the appliance, make sure that the power cord is not tangled or kinked.

WARNING!

Do not immerse the housing and power cord in water or other liquids.

07 TROUBLESHOOTING

Problem	Possible cause	Solution
The appliance does not turn on.	The outlet to which the appliance is connected may be damaged.	Make sure the appliance is properly connected to the network. Check the fuse in your home's electrical outlet.
	The voltage of the power supply to which the appliance is connected does not match the voltage of the appliance.	Make sure that the voltage indicated on the appliance matches the voltage of the power supply.
	The control knob is in the OFF position.	Turn the control knob to the correct position.
Motor stops during operation.	Too much food inside the cup.	Turn the switch to "R" position to clear the jam. If the jam is not cleared, turn the appliance off, then disassemble and clean it.
	The hard vegetables and fruits were cut into too large pieces.	Cut hard fruits and vegetables (e.g. carrots) into thin strips or small cubes before loading.
Juice flows out too slowly or spills out of the container.	The juice container and rubber valve are not installed correctly.	Assemble all parts according to the assembly section.
There is an unpleasant odor during operation.	The appliance is used for the first time.	This is not a malfunction.
The lid of the feeding bowl does not open.	There is too much pulp inside.	Turn the switch to "R" position to clear the jam. If the jam is not cleared, turn the appliance off, then disassemble and clean it.
	Some hard products are jammed inside.	
	There is an old pulp residue inside.	Pour water into the bowl and leave overnight.

WARNING!

Never repair the appliance yourself, contact an authorized service center or a qualified specialist.

08 DISPOSAL



To protect the environment, do not dispose of appliance and the batteries with household waste. Bring the appliance and batteries to specialized points for further disposal. For more information on the disposal of this product, contact your local authority, your household waste disposal service, or the retailer.

09 TRANSPORT AND STORAGE

- Store the appliance in a clean, closed, dry room at an ambient temperature between 5 and 40°C and a relative humidity of no more than 70%.
- Transportation of the device can be carried out by all means of transport, in accordance with the rules for the carriage of goods. When transporting in the original packaging, protect the appliance from damage, preventing the exposure to precipitation and aggressive environments.
- When transporting the appliance without original packaging, use bubble wrap and corrugated cardboard packaging. Wrap each element of the appliance in a film and place it vertically in the container. The free distance between the elements of the product must be laid with air bubble wrap or folded cardboard.

10 TECHNICAL SPECIFICATIONS

- Model: CRJ775
- Rated power: 200 W
- Voltage: 220-240 V~, 50/60 Hz
- Protection Class: II
- Feeding bowl diameter: 108 mm
- Speed: up to 65 rpm
- Juice container capacity: 0.8 L
- Pulp cup capacity: 0.7 L
- DC motor
- Anti-drip system
- Rubberized legs
- Overheat protection
- Reverse function
- Net weight: 2,5 kg
- Dimensions: 191 × 158 × 402 mm
- Cord length: 0.9 m

11 SCOPE OF DELIVERY

- Juicer
- Juice container
- Feeding bowl
- Juice cup
- Pulp cup
- Pusher
- Cleaning brush
- Instruction manual

12 WARRANTY

Organization for warranty service and acceptance of claims:

LLC "MVM", Russia, 105066, Moscow, Nizhnyaya Krasnoselskaya str., 40/12, building 20, floor 5, room II, room 3.

Phone: +7 (495) 644-28-48

Information about the warranty conditions:

<https://www.eldorado.ru/spv>

or by phone Eldorado – 8 (800) 250 25 25

<https://www.mvideo.ru/spv>

or by phone M.Video – 8 (800) 600 77 75

The seller's warranty is 12 months from the date of sale (transfer) of the goods to the Customer.

13 ADDITIONAL INFORMATION

Manufacturer: Newline Import & Export Limited of Zhongshan

Address: No.23, Nan An Road, Shiqi, Zhongshan, China

Made in China

Importer/Manufacturer's authorized company:

LLC "MVM", Russia, 105066, Moscow, Nizhnyaya Krasnoselskaya str., 40/12, building 20, floor 5, room II, room 3.

E-mail: cert-log@mvideo.ru

Phone: +7 (495) 644-28-48

Installed by the manufacturer in accordance with paragraph 2 of article 5 of the Law of the Russian Federation "On Consumer Protection" the service life of this product is 3 years from the date of sale, provided that the product is used in accordance with the rules and recommendations set forth in these instruction manual and applicable technical standards.

There are no special conditions for the sale.

The date of manufacture is indicated (coded) in the serial number on the device, where
the 1st and 2nd digits from the beginning are the month of manufacture;
the next 2 digits are the year of manufacture;
the last 7 digits are the serial number.

The product is certified, meets the requirements:
TR TS 004/2011 "On the safety of low-voltage equipment",
TRTS 020/2011 "Electromagnetic compatibility of technical means"
TR EAEU 037/2016 "On the restriction of the use of hazardous substances
in products of electrical engineering and radio electronics".

Добро пожаловать в клуб **CARRERA!**

История бренда начинается в 1980-е гг. в Германии, когда дизайнеры разработали первые линейки техники для дома и для ухода за собой.

Инженеры и дизайнеры **CARRERA** вдохновлялись легендарной Carrera Panamericana – самой долгой и опасной гонкой 1950-х. На победу в гонке могли рассчитывать лишь те, кто выкладывался до конца и был готов выйти за пределы возможностей человека и техники.

Эта философия и легла в основу всех продуктов **CARRERA**.

Для каждого устройства используются Hi-Tech компоненты и высококачественные материалы. Акцент делается на мощность, качество, инновационность и функциональный дизайн.

Такой подход нашел отклик в сердцах миллионов покупателей: в настоящий момент узнаваемость бренда в Европе достигла 90%, а продукты **CARRERA** стали признанным воплощением немецкой точности и мастерства.

Сегодня **CARRERA** продолжает инвестировать в научные исследования и развитие. В каждом созданном продукте сочетается комфорт, производительность и роскошь.

CARRERA – это не просто техника. Это стиль жизни.

СОДЕРЖАНИЕ

01 МЕРЫ БЕЗОПАСНОСТИ	16
02 НАЗНАЧЕНИЕ	17
03 СХЕМА ПРИБОРА	18
04 ПОДГОТОВКА К ЭКСПЛУАТАЦИИ	19
05 ЭКСПЛУАТАЦИЯ	20
06 ОЧИСТКА И УХОД	21
07 УСТРАНЕНИЕ НЕИСПРАВНОСТЕЙ	23
08 УТИЛИЗАЦИЯ	24
09 ТРАНСПОРТИРОВКА И ХРАНЕНИЕ	24
10 ТЕХНИЧЕСКИЕ ХАРАКТЕРИСТИКИ	24
11 КОМПЛЕКТАЦИЯ	25
12 ГАРАНТИЯ	25
13 ДОПОЛНИТЕЛЬНАЯ ИНФОРМАЦИЯ	25

01 МЕРЫ БЕЗОПАСНОСТИ

Перед первым использованием прибора внимательно прочтите меры безопасности. Сохраните инструкцию для дальнейшего использования и при необходимости передайте ее другим пользователям. Обращайтесь с прибором осторожно и предупреждайте других пользователей о потенциальной опасности.

ВНИМАНИЕ!

Неправильное использование прибора может привести к травме.

- Перед использованием прибора убедитесь в соответствии рабочего напряжения прибора и напряжения электросети. Проверьте прибор на наличие механических повреждений. Не используйте прибор при их обнаружении.
- Не рекомендуется подключать прибор к электросети при помощи удлинителей, разветвителей и переходников.
- Во избежание перегрузки электрической сети не рекомендуется включать одновременно несколько устройств с большим потреблением мощности.
- Рекомендуется подключать прибор к розетке с заземлением.
- Не подключайте прибор к источнику питания до полной сборки и регулировки.
- Не используйте прибор не по назначению.
- Используйте прибор только на твердой и устойчивой поверхности.
- Не используйте и не ставьте прибор на влажную или горячую поверхность.
- Не используйте прибор на открытом воздухе.
- Не используйте прибор в местах, где распыляются аэрозоли или есть легковоспламеняющиеся жидкости.
- Не размещайте прибор вблизи источников воды и других жидкостей, а также рядом с нагревательными или отопительными приборами.
- Не допускайте попадания воды или других жидкостей на электрический соединитель.
- Не погружайте прибор в воду или другие жидкости и не прикасайтесь к нему влажными руками. При намокании прибора сразу отключите его от сети.
- Берегите прибор и шнур питания от воздействия высоких температур, прямых солнечных лучей, сырости и прочих негативных воздействий.
- Не включайте прибор, если он упал, даже при отсутствии внешних повреждений до того, как его осмотрит специалист. Обратитесь в специализированный сервис.
- Не включайте прибор без продуктов и не перегружайте его.

- Не помещайте в загрузочную чашу что-то кроме овощей, фруктов, ягод или зелени, подходящих для обработки.
- Запрещается открывать крышку прибора во время работы.
- Не допускайте более 20 минут непрерывной работы прибора.
- Следите, чтобы над прибором не свисали одежда и волосы.
- Не оставляйте работающий прибор без присмотра. Если прибор не используется, отключите его от сети.
- Следите, чтобы сетевой шнур прибора не соприкасался с горячими поверхностями и острыми предметами, а также не свисал с края стола или стойки.
- Не разрешайте детям играть с прибором, аксессуарами, коробкой и прочими элементами упаковки во избежание травм или удушья. Дети должны находиться под присмотром для недопущения игр с прибором.
- Прибор не предназначен для использования лицами (включая детей) с пониженными физическими, сенсорными или умственными способностями или при отсутствии у них жизненного опыта или знаний, если они не находятся под присмотром или не проинструктированы об использовании прибора лицом, ответственным за их безопасность.
- Отключая прибор от сети, не тяните за шнур питания. Не наматывайте шнур на корпус прибора. Не переносите прибор за шнур питания.
- Всегда отключайте прибор от сети, перед сборкой, разборкой, а также во время его очистки, перемещения или после использования.
- Очищайте прибор и принадлежности после каждого использования.
- Регулярно проверяйте прибор и шнур питания для выявления механических повреждений и не используйте прибор в случае их обнаружения. Запрещается самостоятельно ремонтировать прибор или вносить изменения в его конструкцию. Ремонт прибора должен производиться исключительно специалистом сервисного центра.
- При повреждении шнура питания его замену во избежание опасности должны производить изготовитель, сервисная служба или подобный квалифицированный персонал.

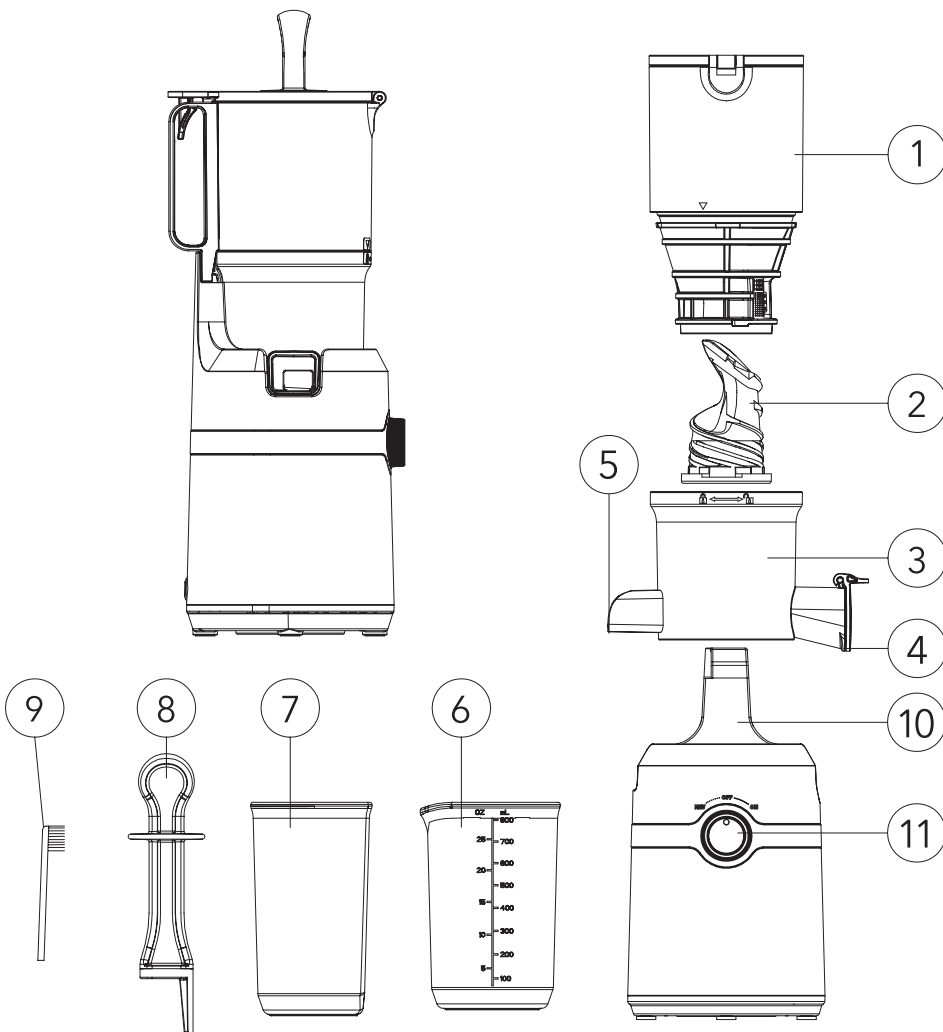
02 НАЗНАЧЕНИЕ

Соковыжималка предназначена для приготовления натуральных соков из фруктов, ягод, зелени и овощей (яблок, ананасов, персиков, киви, винограда, апельсинов, томатов, болгарского перца, моркови, сельдерея, шпината и др.).

С ней у вас всегда на столе будут свежие вкусные фреши, содержащие большое количество витаминов, минералов и антиоксидантов.

Прибор предназначен для работы в жилых и коммерческих помещениях в соответствии с назначением и мерами безопасности, описанными в данной инструкции по эксплуатации.

03 СХЕМА ПРИБОРА



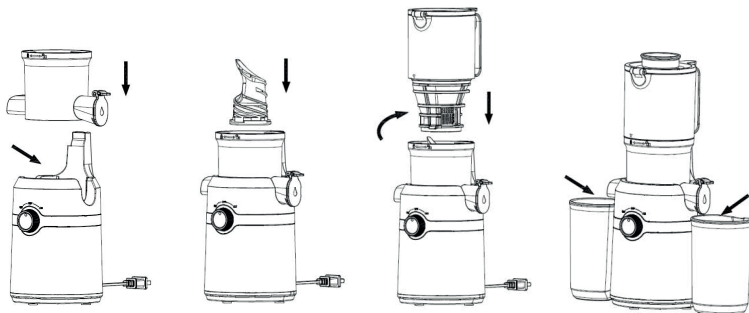
- | | |
|-------------------------------|---------------------------|
| 1. Загрузочная чаша с крышкой | 7. стакан для жмыха |
| 2. Шнек | 8. Толкатель |
| 3. Контейнер для отжима | 9. Щеточка для очистки |
| 4. Отверстие для выхода сока | 10. Корпус с двигателем |
| 5. Отверстие для выхода жмыха | 11. Переключатель питания |
| 6. Мерный стакан | |

04 ПОДГОТОВКА К ЭКСПЛУАТАЦИИ

- После хранения и транспортировки в условиях пониженной температуры перед включением рекомендуется выдержать прибор при комнатной температуре в течение двух часов.
- Извлеките прибор из упаковки. Удалите с прибора все защитные пленки, наклейки и другие упаковочные материалы. Убедитесь в том, что комплектация прибора соответствует заявленной производителем, а элементы прибора не повреждены.
- Протрите корпус прибора влажной тканью и вытрите насухо. Установите на твердую устойчивую поверхность.
- Промойте все съемные части с мягким моющим средством.
- Размотайте и выпрямите шнур питания.

Сборка

1. Вставьте контейнер для отжима (3) в корпус до фиксации.
2. Установите шнек (2) в центр контейнера. Он должен коснуться его дна.
3. Установите загрузочную чашу (1) на контейнер. Отметка ▲ на загрузочной чаше должна совпасть с отметкой 🔒 на контейнере. Поверните загрузочную чашу по часовой стрелке до щелчка так, чтобы отметки 🔒 и ▲ на чаше и контейнере совпали.
4. Поставьте мерный стакан и стакан для жмыха под соответствующие отверстия.



ВНИМАНИЕ!

- При установке загрузочной чаши крышка чаши должна быть открыта – в противном случае вы не сможете установить чашу правильно. Также необходимо открыть крышку, чтобы снять чашу.
- По окончании сборки закройте крышку загрузочной чаши. Прибор не включится при открытой крышке или неправильной сборке.

Подготовка продуктов

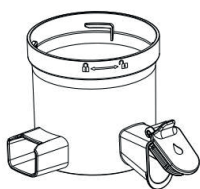
- Для приготовления качественного сока рекомендуется использовать свежие продукты. Если вы планируете использовать замороженные продукты, их необходимо предварительно разморозить.
- Тщательно промойте продукты.
- Если фрукты содержат крупные косточки (вишня, слива), их необходимо удалить.
- При необходимости удалите кожуру (апельсин, грейпфрут).
- Нарежьте продукты кубиками (примерно 5 × 5 см) или полосками (5 × 3 см). Волокнистые фрукты и овощи (морковь, свекла) следует нарезать на полоски 5-10 см или кубиками 3 × 3 см.

ВНИМАНИЕ!

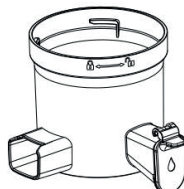
Очень твердые, волокнистые, мягкие или крахмалистые продукты, такие как бананы, манго, клубника и авокадо, не подходят для приготовления сока в этом приборе.

05 ЭКСПЛУАТАЦИЯ

- Убедитесь, что переключатель находится в положении «Выкл.» и подключите прибор к электросети с соответствующими характеристиками. Стаканы для сбора сока и жмыха должны находиться под соответствующими отверстиями.
- Положите продукты в загрузочную чашу. Закройте крышку. Переведите переключатель питания в положение «Вкл.».
- Если во время работы в контейнере для сока образуется затор, переведите переключатель в положение R (обратный ход).
- Для удобства вы можете не открывать крышку отверстия для сока, пока контейнер не будет полностью заполнен.



Крышка отверстия для сока открыта



Крышка отверстия для сока закрыта

- По окончании работы переведите переключатель в положение «Выкл.». Слейте сок из контейнера в стакан или другую подходящую емкость. Промойте все съемные части теплой водой с мягким моющим средством.
- Отключите прибор от сети.

Рекомендации по использованию

- Добавляйте продукты в прибор постепенно: не торопитесь, подождите, пока будет полностью выжат сок из предыдущей партии.

- Для получения сока более высокого качества рекомендуется комбинировать продукты с высоким и низким содержанием волокон (например, сельдерей и морковь). Также можно смешивать мягкие фрукты с высоким содержанием сахара и твердые фрукты с высоким содержанием воды (например, яблоки и груши).
- Закрывайте отверстие подачи сока крышкой, чтобы избежать ненужных капель. Пользуйтесь крышкой также для того, чтобы смешивать соки из разных ингредиентов в нужных пропорциях.

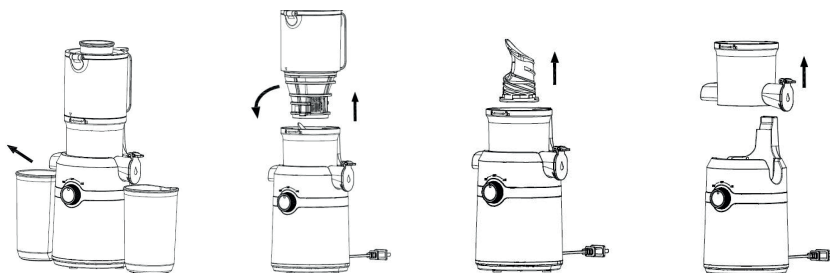
ВНИМАНИЕ!

- **Во избежание перегрева не допускайте более 20 минут непрерывной работы прибора.**
- **Во время работы прибора крышка загрузочной чаши должна быть закрыта.**
- **Чтобы открыть крышку загрузочной чаши, нажмите на фиксатор, вошедший в паз ручки.**
- **Не используйте прибор для колки льда.**
- **В случае перегрева прибор отключится автоматически. Переверните переключатель в положение «Выкл.» и выждите не менее 10 минут перед повторным включением.**
- **Запрещается проталкивать продукты в загрузочную чашу пальцами или посторонними предметами. Используйте толкатель, идущий в комплекте.**

06 ОЧИСТКА И УХОД

Перед очисткой прибора всегда отключайте его от сети. Проводите очистку после каждого использования, в противном случае остатки жмыха могут прилипнуть к контейнеру и шнеку, затрудняя сборку и очистку и ухудшая производительность.

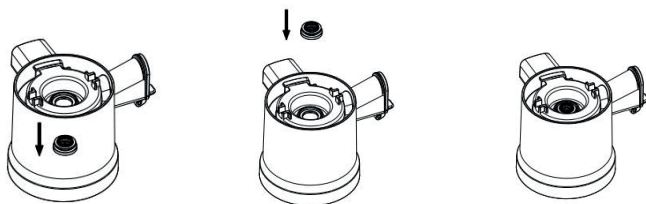
- Снимите загрузочную чашу, повернув ее против часовой стрелки так, чтобы отметка ▲ чаше совпала с отметкой 🔒 на контейнере. Извлеките шнек; если он не поддается, осторожно покачайте его из стороны в сторону. Снимите контейнер, потянув его вверх.



- Протирайте корпус слегка влажной тканью или губкой, без применения абразивных моющих средств.
- Промойте все съемные части теплой водой (не горячее 40 °С) с мягким моющим средством. При необходимости используйте щеточку, входящую в комплект. Съемные части допускается мыть в посудомоечной машине.
- При наличии остатков жмыха в месте установки контейнера для сока, снимите резиновую прокладку и промойте ее под краном. Высушите прокладку и плотно установите на место.



- При необходимости очистите уплотнительное кольцо. Извлеките его из базы – для удобства вы можете перевернуть базу – и промойте водой. Тщательно высушите. Плотно установите кольцо на место узкой ребристой стороной вверх.



- Тщательно высушите прибор перед тем, как поместить его на хранение.
- Храните прибор в темном прохладном месте, недоступном для детей. При хранении прибора следите, чтобы шнур питания не спутывался и не заламывался.

ВНИМАНИЕ!

Не погружайте корпус и шнур питания в воду или другие жидкости.

07 УСТРАНЕНИЕ НЕИСПРАВНОСТЕЙ

Проблема	Возможная причина	Решение
Прибор не включается.	Розетка, к которой подключен прибор, может быть повреждена.	Убедитесь, что прибор правильно подключен к сети. Проверьте предохранитель в электрической розетке вашего дома.
	Напряжение источника питания, к которому подключен прибор, не соответствует напряжению самого прибора.	Убедитесь, что напряжение, указанное на приборе, соответствует напряжению источника питания.
	Переключатель находится не в положении «Выкл.».	Установите переключатель в правильное положение.
Прибор выключается во время работы.	В прибор было загружено слишком много продуктов.	Переведите переключатель в положение R, чтобы устранить затор. Если неисправность не будет устранена, отключите прибор, разберите и промойте его.
	Твердые овощи и фрукты были нарезаны на слишком крупные куски.	Твердые фрукты и овощи (например морковь) перед загрузкой необходимо нарезать на тонкие полоски или маленькие кубики.
Сок вытекает слишком медленно либо выплескивается из контейнера.	Контейнер для отжима и резиновая прокладка установлены неправильно.	Соберите все детали в соответствии с разделом о сборке.
Во время работы появляется неприятный запах.	Прибор используется в первый раз.	Это не является неисправностью.
Части прибора окрашиваются после использования.	Прибор окрашивается соком продуктом	Это не является неисправностью.
Крышка загрузочной чаши не открывается.	Внутри скопилось слишком много жмыха.	Переведите переключатель в положение R, чтобы устранить затор. Если неисправность не будет устранена, отключите прибор, разберите и промойте его.
	Внутри застряли твердые продукты.	
	Изнутри налип засохший жмых.	Налейте в чашу воду и оставьте на ночь.

ВНИМАНИЕ!

Никогда не ремонтируйте прибор самостоятельно. Всегда обращайтесь в авторизованный сервисный центр или специализированную мастерскую.

08 УТИЛИЗАЦИЯ



В целях защиты окружающей среды после окончания срока службы прибора выбрасывайте его вместе с обычными бытовыми отходами. Передайте прибор в специализированные пункты для дальнейшей утилизации.

Для получения дополнительной информации об утилизации данного продукта обратитесь в местную службу утилизации бытовых отходов или в магазин, где вы приобрели данный продукт.

09 ТРАНСПОРТИРОВКА И ХРАНЕНИЕ

- Храните прибор в чистом закрытом сухом помещении при температуре окружающей среды в диапазоне от 5 до 40 °С и относительной влажности воздуха не выше 70 %.
- Транспортировка прибора проводится всеми видами транспорта в соответствии с правилами перевозки грузов. При транспортировке в заводской упаковке обеспечьте защиту прибора от повреждений, исключив возможность воздействия атмосферных осадков и агрессивной среды.
- При транспортировке без заводской упаковки рекомендуется использовать воздушно-пузырьковую пленку и тару из гофрированного картона. Рекомендуется качественно обернуть каждый элемент прибора в пленку и расположить в таре вертикально. Свободное расстояние между элементами изделия необходимо проложить воздушно-пузырьковой пленкой или сложенным картоном.

10 ТЕХНИЧЕСКИЕ ХАРАКТЕРИСТИКИ

- Модель: CRJ775
- Номинальная мощность: 200 Вт
- Напряжение: 220–240 В~, 50/60 Гц
- Класс защиты: II
- Диаметр загрузочной чаши: 108 мм
- Скорость: до 65 об/мин
- Емкость контейнера для сока: 0,8 л
- Емкость стакана для жмыха: 0,7 л
- DC-двигатель
- Защита от капель
- Прорезиненные ножки
- Защита от перегрева
- Функция реверса
- Масса нетто: 2,5 кг
- Размеры: 191 × 158 × 402 мм
- Длина шнура питания: 0,9 м

11 КОМПЛЕКТАЦИЯ

- Соковыжималка
- Контейнер для отжима
- Загрузочная чаша
- Мерный стакан
- Стакан для жмыха
- Толкатель
- Щеточка для очистки
- Инструкция по эксплуатации

12 ГАРАНТИЯ

Организация по гарантийному обслуживанию и принятию претензий: ООО «МВМ», Россия, 105066, г. Москва, ул. Нижняя Красносельская, д. 40/12, корпус 20, этаж 5, помещение II, комната 3.

Информация об условиях гарантии:

<https://www.eldorado.ru/spv>

или по телефону Эльдorado – 8 (800) 250-25-25

<https://www.mvideo.ru/spv>

или по телефону М.Видео – 8 (800) 600-77-75

Гарантия продавца – 12 месяцев с момента продажи (передачи) товара Покупателю.

13 ДОПОЛНИТЕЛЬНАЯ ИНФОРМАЦИЯ

Изготовитель: Ньюлайн Импорт и Экспорт Лимитэд оф Чжуншань

Адрес: №23, Нан Ан Роад, Шинки, Чжоншань, Китай

Сделано в Китае

Импортер/Уполномоченное изготовителем лицо: ООО «МВМ», Россия, 105066, г. Москва, ул. Нижняя Красносельская, д. 40/12, корпус 20, этаж 5, помещение II, комната 3.

Телефон: +7 (495) 644-28-48

E-mail: cert-log@mvideo.ru

Установленный производителем в соответствии с п. 2 ст. 5 Закона РФ «О защите прав потребителей» срок службы данного изделия равен 3 годам с даты продажи при условии, что изделие используется согласно правилам и рекомендациям, изложенным в настоящей инструкции по эксплуатации, и применяемым техническим стандартам.

Специальные условия реализации не установлены.

Дата изготовления указана (закодирована) в серийном номере на приборе, где

1 и 2-я цифра с начала – месяц изготовления;

Следующие 2 цифры – год изготовления;

Следующие 7 цифр – серийный номер.

Товар сертифицирован, соответствует требованиям:

ТР ТС 004/2011 «О безопасности низковольтного оборудования»

ТР ТС 020/2011 «Электромагнитная совместимость технических средств»

ТР ЕАЭС 037/2016 «Об ограничении применения опасных веществ в изделиях электротехники и радиоэлектроники».

Изготовитель оставляет за собой право изменения комплектации, технических характеристик и внешнего вида товара.



CARRERA

DESIGNED IN GERMANY