

# **CARRERA**

DESIGNED IN GERMANY

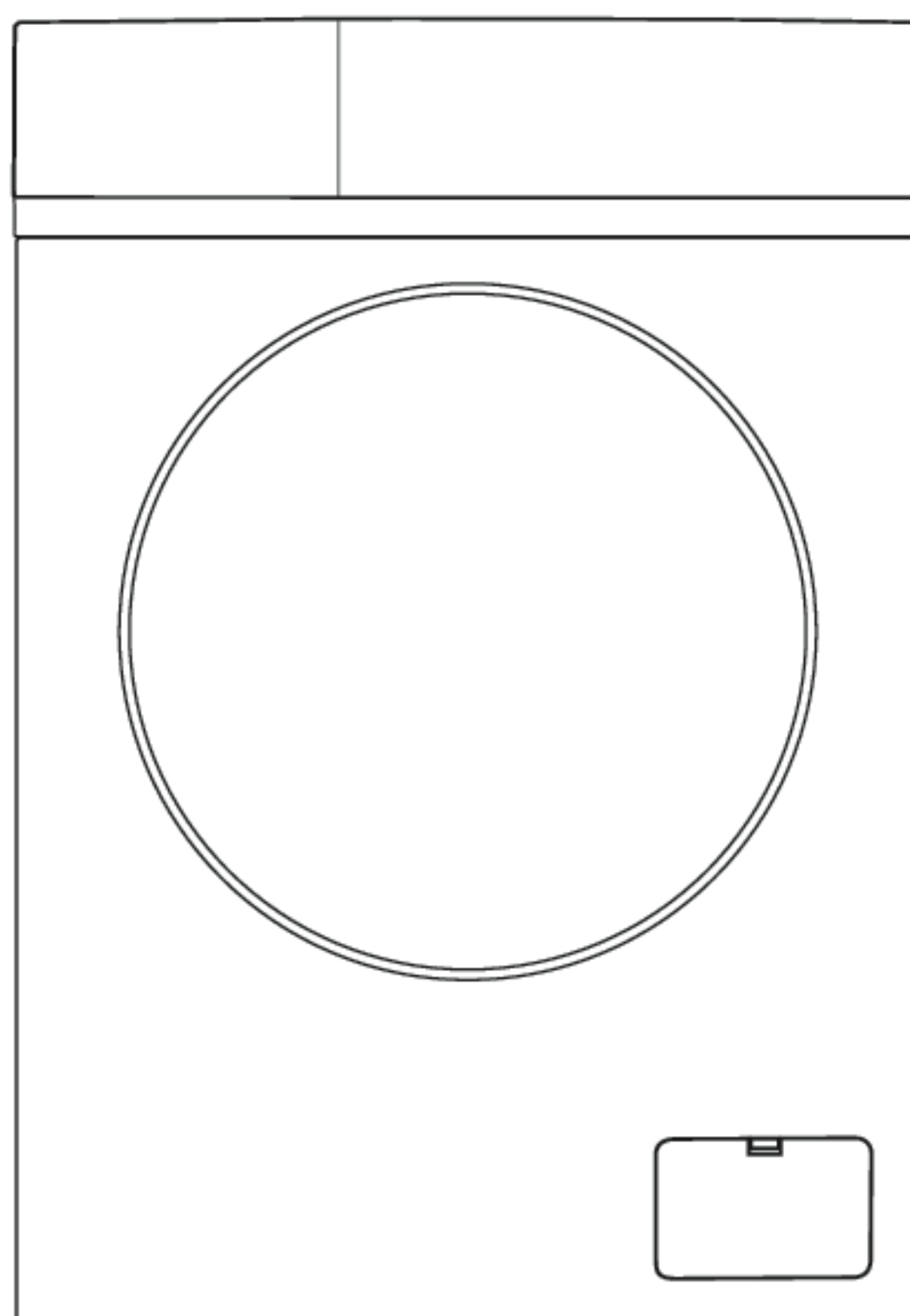
**EN**  
**WASHING MACHINE**

Instruction manual

**RU**  
**СТИРАЛЬНАЯ МАШИНА**

Инструкция по эксплуатации

**CRWM616**



Welcome to the **CARRERA** club!

The story of **CARRERA** starts in the 80' in Germany as a lifestyle across two product categories: personal care and home appliances.

**CARRERA** engineers and designers were inspired by the legendary Carrera Panamericana, the longest and the most challenging race in the 50'. Only the racers who were ready to go beyond the limitations of their own bodies and materials stood a chance of winning

Today, that same philosophy drives **CARRERA** to develop unique and powerful products.

Each product is made of hi-tech components and quality materials outlining power, quality, innovative features and effective design.

This approach resonated with millions of people, boosting **CARRERA** brand recognition in Europe up to 90%. **CARRERA** products have become an embodiment of German precision and craftsmanship.

Today, **CARRERA** continues to invest into research and development. Each **CARRERA** product provides users with a sense of luxury, comfort and efficacy.

**CARRERA** is not just about tools. It is about a lifestyle.

---

# CONTENT

---

01 Safety Precautions	4
02 Intended Use	6
03 Appliance Overview	6
04 Technical Specifications	7
05 Scope of Delivery	7
06 Installation	8
07 Operation	11
08 Cleaning & Maintenance	18
09 Error Codes	21
10 Troubleshooting	22
11 Disposal	23
12 Transport and Storage	23
13 Warranty	24
14 Additional Information	24



## 01 SAFETY PRECAUTIONS

---

Before using the appliance, please read this instruction manual carefully. Keep this instruction manual, receipt, packing box and, if possible, other elements of the packing. Do not use the appliance other than for intended use.

- Check the appliance and its cable regularly for damage. Do not use the appliance if any damage is detected.
- The appliance is very heavy. To avoid injury, do not attempt to transport or lift it alone. Do not tilt it at more than 30° during transportation.
- Do not take off panels or disassemble the appliance.
- Damage to the power cord may result in electric shock, short circuit or fire due to overheating. Make sure that the power cord is not bent or pinched and does not come into contact with heat sources.
- The mains voltage at the mains socket must correspond to the rated voltage specified in the appliance's technical data. The appliance must only be connected to the AC mains using a properly installed socket with a safety contact.
- The plug and socket with safety contact must match; the earthing system must be correctly installed.
- The mains plug must always be easily accessible. If this is not possible, make sure that the switch (all-pole mains switch) is built into the fixed equipment in accordance with the regulations for the installation of electrical equipment.
- Do not connect the appliance through a multiple outlet, extension cord or adapter. Hold the power cord by the plug when plugging or unplugging it from the outlet. If the power cord connector is dirty, wipe it with a dry cloth. Do not plug or unplug the power plug with wet hands.
- Do not connect the appliance to the power supply through an external switching device such as a timer, or connect it to a circuit that is regularly turned on and off by a utility service.
- Disconnect the appliance from the mains when the appliance is not in use for long periods of time and when cleaning, servicing and repairing.
- Only new hose kits supplied with the appliance should be used. Do not reuse old hoses.
- Attach the drain hose securely and make sure that the drain is not blocked.
- Do not install the appliance outdoors or in a wet environment. Do not allow water to get on the control panel.
- If the drain or fill hose freeze in cold weather, allow it to thaw before use.
- Do not use the appliance in a room where there is a gas leak. Do not use the appliance at temperatures below 0 °C.
- Protect the appliance and the power cord from high temperatures and direct sunlight.
- Do not use flammable gas or flammable substances (benzene, benzine, solvent, oil, alcohol, etc.) near the appliance.



- Make sure that there are no combustible materials such as fluff, paper, rags, chemicals, etc. under or around the appliance.
- Do not put flammable combustibles into the appliance.
- Do not install the appliance behind a lockable door, a sliding door or a door with hinges on the side opposite the hinges of the appliance door.
- Washing machines with ventilation holes in the base must not be installed on carpet.
- The appliance may vibrate during operation. Place the appliance on a flat, stable surface.
- The door glass becomes hot during high water temperature programs. Do not touch the glass yourself and make sure that children do not touch it.
- Do not place heavy objects on the appliance lid. Do not lean on an open appliance door.
- Do not use sharp objects to operate the appliance via the control panel.
- Do not cover the ventilation holes on the housing.
- Do not touch the internal parts of the appliance while it is running. Wait for the drum to come to a complete stop.
- Do not exceed the maximum load capacity.
- Use the detergent or cleaning agent according to the manufacturer's recommendations.
- Detergents and care products can cause poisoning. Seek medical attention if accidentally swallowed.
- Keep detergents and care products out of children's reach. Wash only items that are suitable for washing. If in doubt, follow the instructions on the laundry label.
- To prevent fire or explosion, do not put inside or wash items that have been cleaned, soaked, impregnated or contaminated with flammable or explosive substances (wax, oil, paint, gasoline, degreasers, dry cleaning solvents, kerosene, vegetable oil and other cooking oils, etc.).
- Do not wash items made of waterproof fabrics such as rain jackets, down jackets, sleeping bags, etc.
- When the power is turned off, the door lock may be unlocked even if there is water inside the drum. Therefore, check the water level in the drum before opening the door.
- The appliance is not intended for use by persons (including children) with reduced physical, sensory or mental capabilities, or lack of experience or knowledge, unless they have been given supervision or instruction concerning use of the appliance by a person responsible for their safety. Children must be supervised to ensure that they do not play with the appliance.
- Do not leave children under the age of three unattended near the appliance.
- After unpacking, remove the packing box, film and parts of the packaging and do not allow children to play with it.



- Do not allow children to use or climb on the appliance.
- When washing is finished, close the door to prevent children or pets from accidentally climbing into the drum.
- Do not repair the appliance or change parts yourself. All repair and maintenance work must be carried out by a qualified technician. Only original spare parts may be used.
- If the power cord is damaged, it must be replaced by the manufacturer, the service department or similarly qualified personnel to avoid danger.

## 02 INTENDED USE

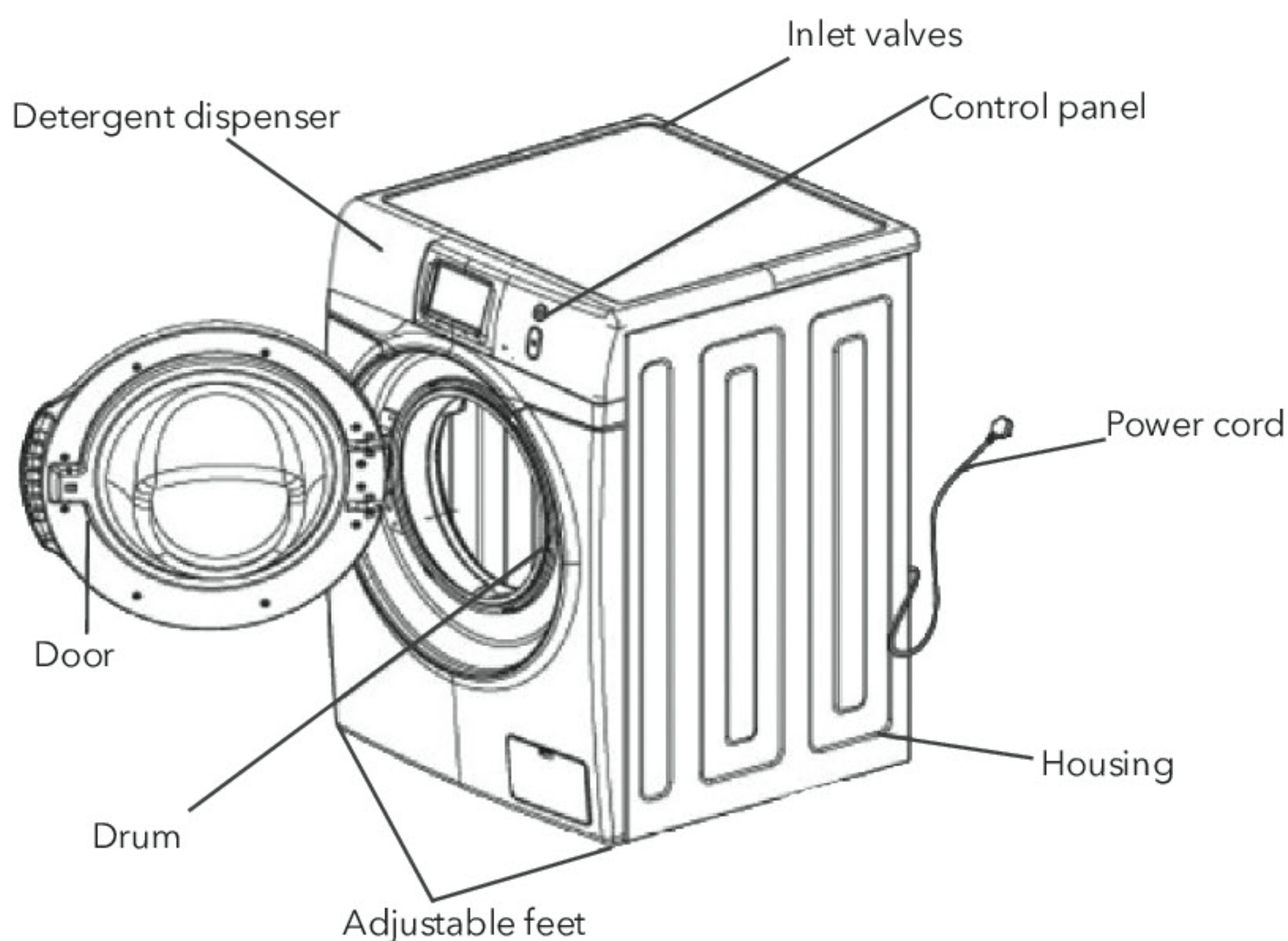
---

The appliance is designed for washing textiles (clothes, underwear, bed linen, bags and other items), with a permanent connection to the mains electricity supply, water supply and sewerage system.

This appliance is intended for use in domestic or commercial areas, in accordance with the intended use and the safety measures described in this instruction manual.

## 03 APPLIANCE OVERVIEW

---



**Note:** this image is schematic, the appearance of your unit may vary.



## 04 TECHNICAL SPECIFICATION

---

<b>Model</b>	<b>CRWM616</b>
Drum capacity, L	64
Max input power, W	1850
Nominal input power (heating), W	1650
Nominal power (washing), W	200
Input power (spinning), W	500
Voltage	220-240 V~, 50 Hz
Water pressure, MPa	0,03-1
Energy consumption, kW/year	242
Water consumption, L/year	15400
IP code	IPX4
Loading	frontal
Max loading of dry clothes (washing), kg	10,5
Spin speed, rpm	1200
Smart washing	+
Auto-balancing	+
Auto load estimate	+
LED display	+
Motor	DD
Energy efficiency class	A
Energy Efficiency Index	1,08
Delay timer	3-24 h
Noise level (spinning), dBA	up to 68
Noise level (washing), dBA	up to 48
Color	grey
Product size (W × D × H), mm	595 × 600 × 850
Carton size (W × D × H), mm	652 × 671 × 885
Net weight, kg	73
Gross weight, kg	79

## 05 SCOPE OF DELIVERY

---

- Washing machine
- Pipe hose
- Plugs for holes from transportation bolts: 4 pcs.
- Wrench
- Instruction manual



## 06 INSTALLATION

---

- After storing or transporting the appliance at low temperatures, it is recommended to keep the appliance warm for six hours before switching it on. The temperature in the room where the appliance is installed must always be above 0°C (freezing point of water).
- Remove the appliance from its packaging, take the transportation elements off. Make sure that the appliance is supplied according to the scope of delivery and that the appliance is not damaged.
- Carry out all installation steps. Connect the appliance to the power supply.

### Selecting the installation place

- The tilt angle of the appliance must not exceed 1°.
- The ventilation holes and the holes on the front or back of the appliance must not be blocked.
- The appliance must not be installed close to walls or furniture.
- The distance between the appliance and the socket outlet should be no more than 1.5 meters (with easy access to the socket outlet).
- The room must be clean. Dust and dirt on the appliance may affect its performance.
- The floor where the appliance is standing should have a concrete base, be dry and clean so that the appliance can't slide. The base of the adjustable feet must also be cleaned.

### **WARNING!**

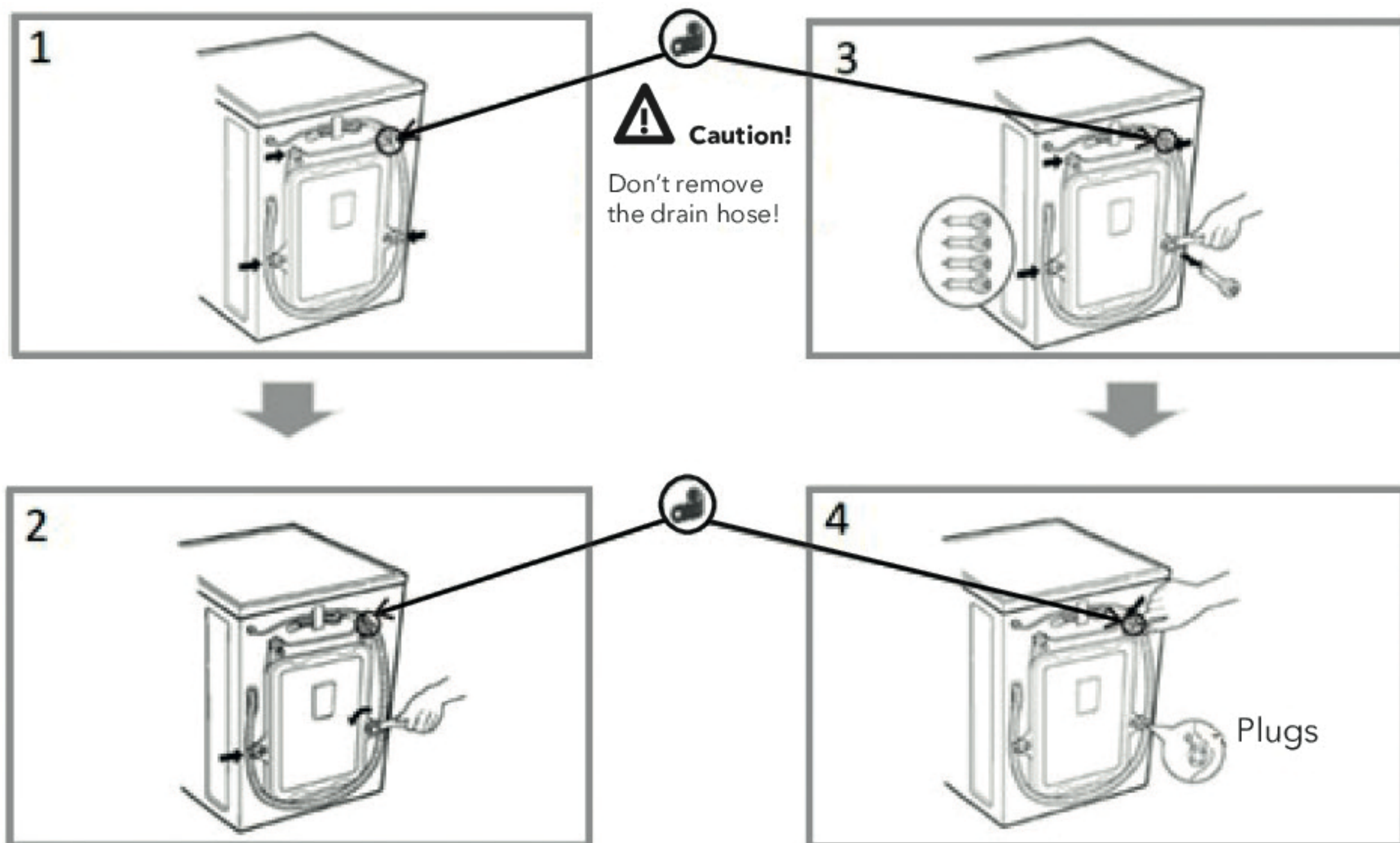
**Do not place the appliance on a platform higher than the floor, otherwise the appliance may fall.**

### Removing the transportation bolts

In order to prevent damage to the appliance during transportation, transportation bolts are installed to secure the tank. If these bolts are not removed when the appliance is installed, there will be strong vibration and noise during washing and spinning.

Unscrew the transportation bolts using a wrench. Turn the rubber gasket slightly and remove the bolts. Save the bolts and reinstall them when transporting the appliance again. Cover the bolt holes with the plugs provided.

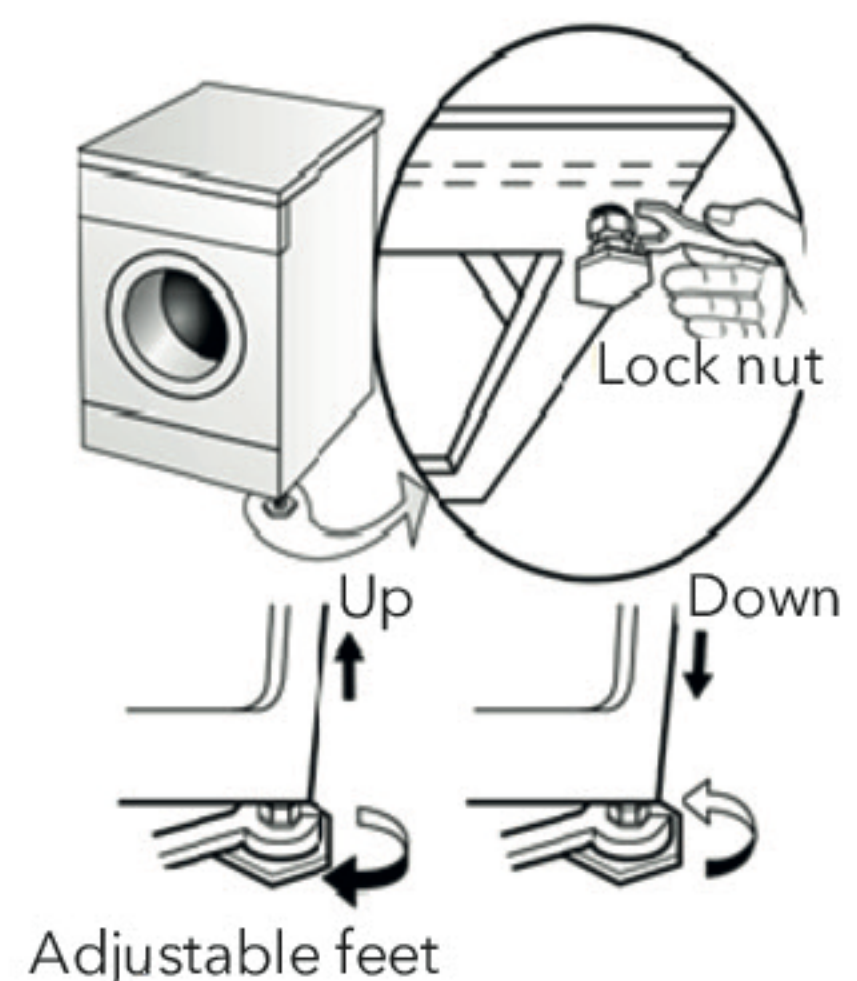




### Leveling

To avoid noise and vibration, adjust the installation level of the appliance. If the floor surface is uneven, adjust the level by rotating the feet (never place wooden stands or similar under the feet). Loosen the lock nuts on the feet.

Adjust the feet so that the appliance is parallel to the floor. Make sure that all 4 feet are firmly touching the floor and the appliance is standing solidly. Use a wrench to tighten the lock nuts on the feet.



**Note:** push down on all four sides of the appliance, and if it is unstable, adjust the feet.

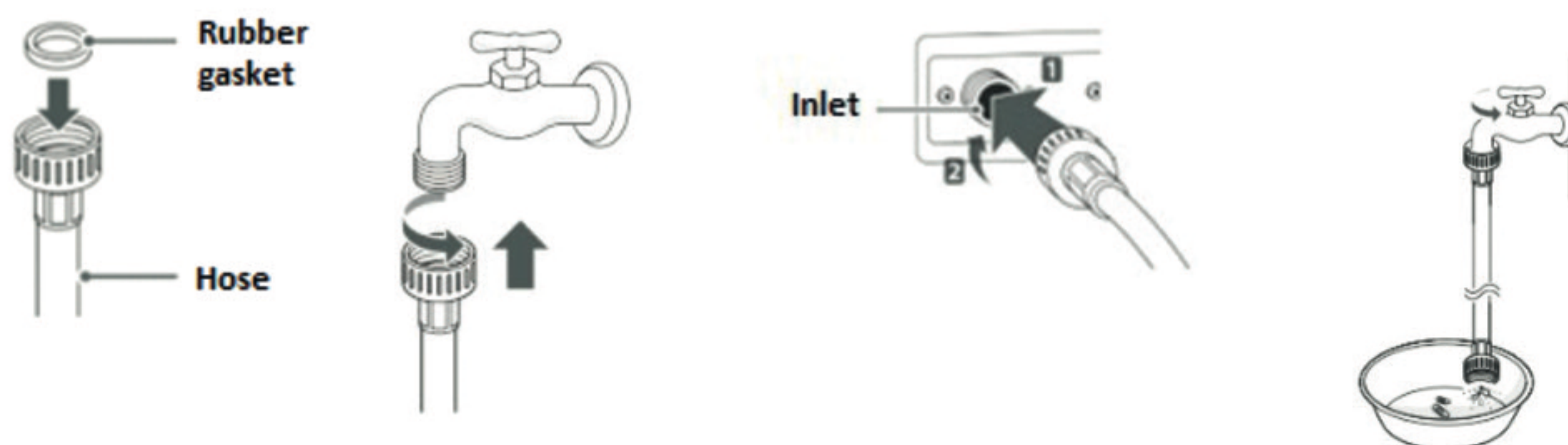
### Installing the inlet hose

The appliance must be connected to the water pipe with a inlet hose. Check that there are rubber gaskets on both sides of the hose. If necessary, insert rubber gaskets into the threaded fittings of each end to ensure a tight seal.

Tighten by hand one end of the hose to the inlet on the appliance and the other end to the water supply tap, then tighten it by turning a quarter/half turn with a tool.

Do not damage the threads when connecting the hose. Check the hose regularly and replace it if necessary. Make sure that the hose is not damaged or twisted.



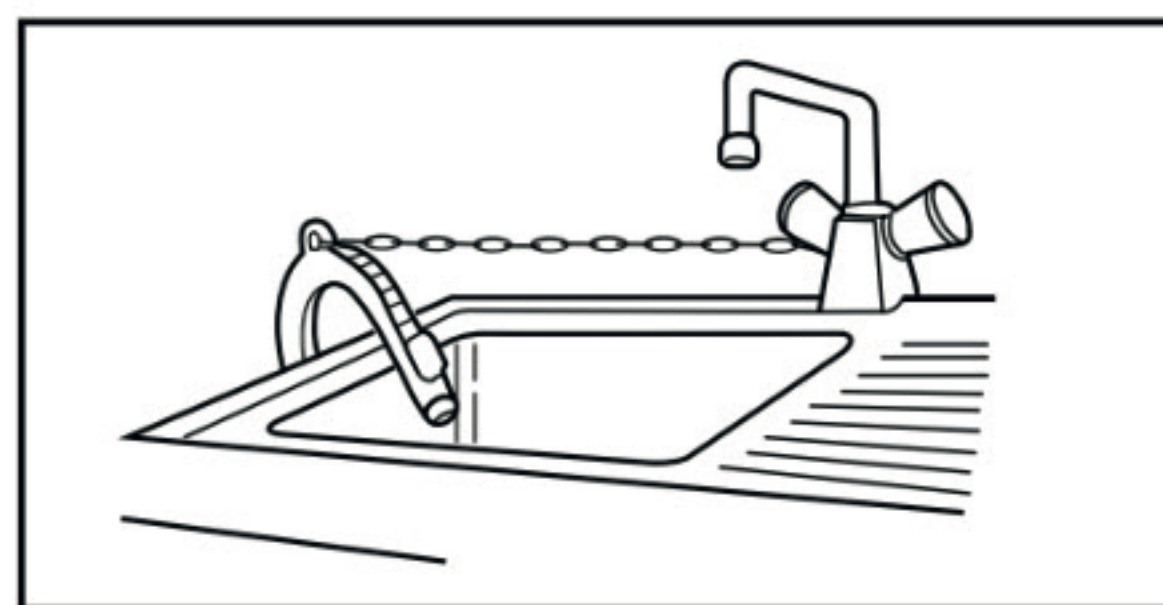
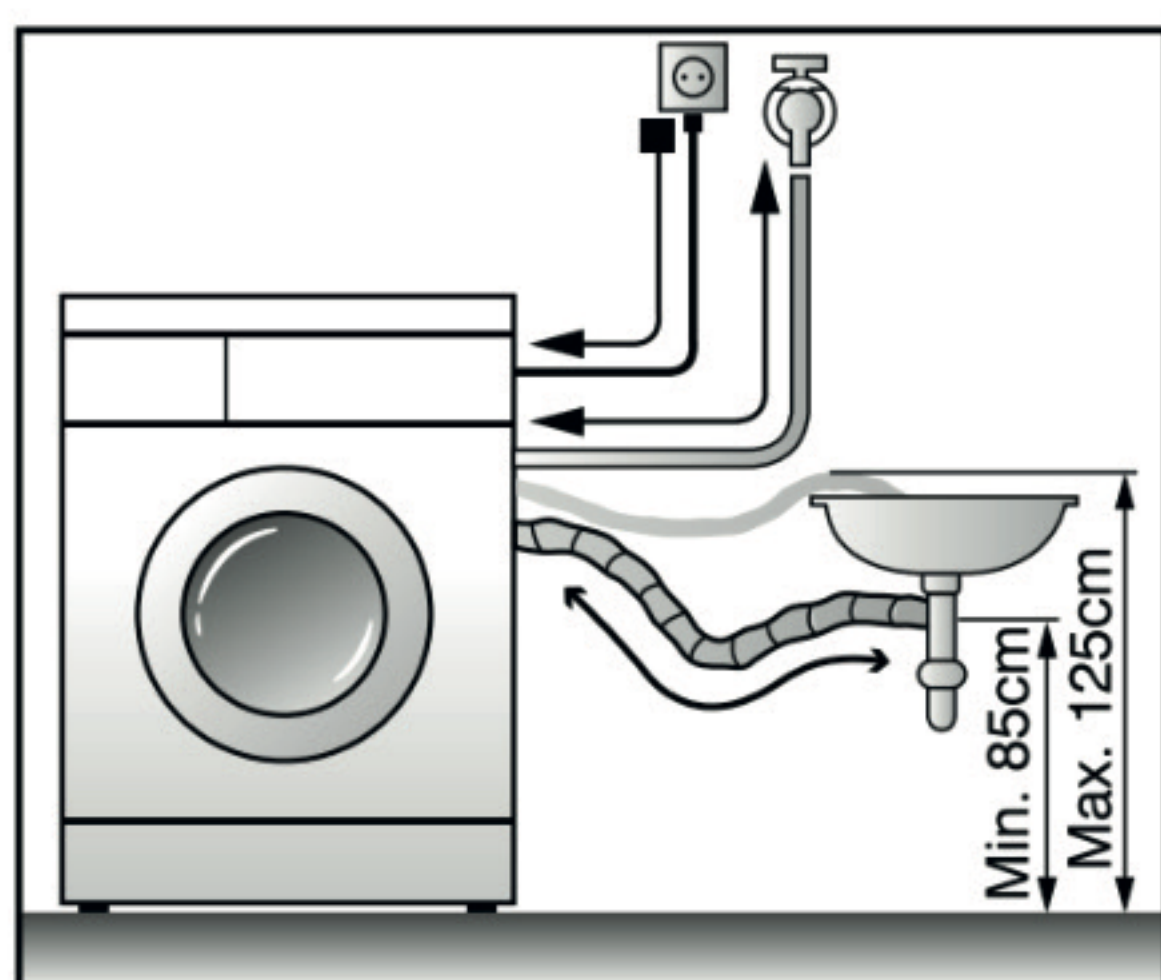


After connection, turn the water on to flush foreign matter off (dirt, sand, dust). Drain the water into a bucket and check the water temperature.

### Installing the drain hose

The drain hose is already installed in the appliance at one end. Do not damage the threads when connecting the hose. Check the hose regularly and replace it if necessary. Make sure that the hose is not damaged or twisted.

Connect the hose to the special branch in the sink trap. The branch must be located above the sink drain trap so that the end of the hose is no lower than 80 cm and no higher than 1.25 m above the floor.



### WARNING!

- **Do not overtighten the hose attachment. Damage to the hoses may result in leakage.**
- **After turning on the water, check to see if the hoses are leaking. In the event of a leak, re-install the hoses.**
- **To avoid a siphon effect, the drain hose must be lower than the appliance outlet and the end of the hose must not be in the water.**
- **If the drain hose is too long, do not force it into the appliance.**
- **If you do not plan to use the appliance for a long time, turn off the water supply.**



### **Connecting to the power supply**

Install the appliance in a location with easy access to a power outlet. Do not use electrical mounting plates or similar equipment.

The appliance is equipped with a grounding device. In the event of any malfunction, grounding reduces the risk of electric shock. The appliance is supplied with a cable. The plug must be connected to a special grounding socket. If the plug does not fit the socket, do not change them yourself.

### **WARNING: The use of grounding is strictly necessary!**

If the electrical wiring/power cable is damaged, contact a qualified technician for replacement.

After each wash, unplug the appliance from the socket and turn off the water tap. If a malfunction occurs, disconnect the power supply and contact a qualified technician.

## **07 OPERATION**

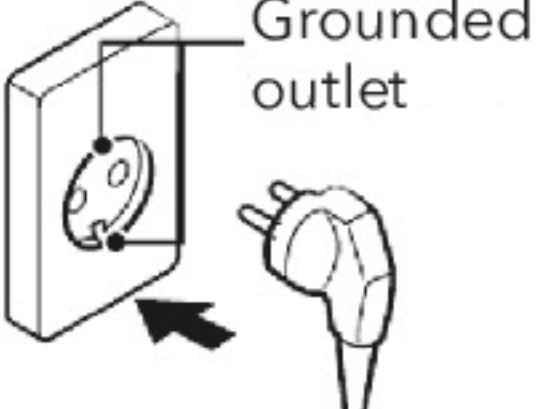


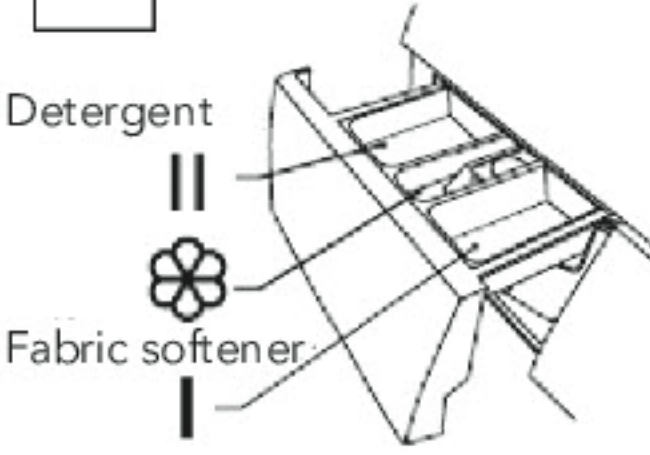

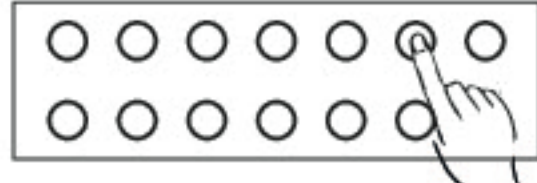


---

### **Before the first wash**

To remove any residual water in the drum and any unpleasant odor, before the first wash, run the appliance in "Smart wash" mode at 96°C without laundry and detergent. The appliance may make a noise during washing, this is not a malfunction.



## Quick start

<p>1</p>  <p>Grounded outlet</p> <p>Connect the appliance to the mains.</p>	<p>2</p>  <p>Open the tap.</p>	<p>3</p>  <p>Load the laundry and close the door.</p>
<p>4</p>  <p>Detergent</p> <p>Fabric softener</p> <p>Prewash</p> <p>Add the detergent.</p>	<p>5</p>  <p>6</p>  <p>7</p>  <p>8:88</p> <p>Press the power button, chose a program and optional functions.</p>	<p>8</p>  <p>Press "Start/Pause". If it is necessary to pause the washing, press "Start/Pause" again, then press the power button to reset the settings.</p>

**Note:** make sure that the drum door is closed.

### Preparing the laundry for washing

Remove any loose items, debris or metal objects such as pins, paper clips, coins, etc. from the laundry.

Zipper up pillow cases, duvet covers, etc.

Remove curtain fasteners or place them in a mesh bag. Extra delicate items such as tights, lace, children's socks or handkerchiefs should only be washed in a mesh bag or pillowcase.

Some items, such as knitwear, pants, T-shirts and sweatshirts, should be turned inside out.

Place bras with wire cups in a pouch that can be securely zipped or buttoned. If the wire comes out of the cup, it may damage the drum.



## Sort laundry by color

Never wash new colored items with other laundry.

Wash white items separately from colored items, otherwise, white items may turn gray.

## Sorting laundry by degree of soiling

### Light soiling

There are no visible dirt or stains, but there may be an odor. This category includes light summer clothes such as T-shirts, shirts or blouses worn once, as well as bed linens or guest towels.
















### Average soiling

There is visible soiling or a few light stains. T-shirts, shirts or blouses that smell of sweat or have been worn several times, as well as small towels or linens after one or more weeks of use; curtains without stains that have not been washed for up to six months.

### Heavy soiling

There is visible soiling and staining. This category may include kitchen towels, cloth napkins, baby bibs, children's outerwear or soccer jerseys and shirts stained with grass or dirt. This can also include overalls and jeans, as well as other clothing for work and outside activities.

## Sorting laundry according to care instructions on labels

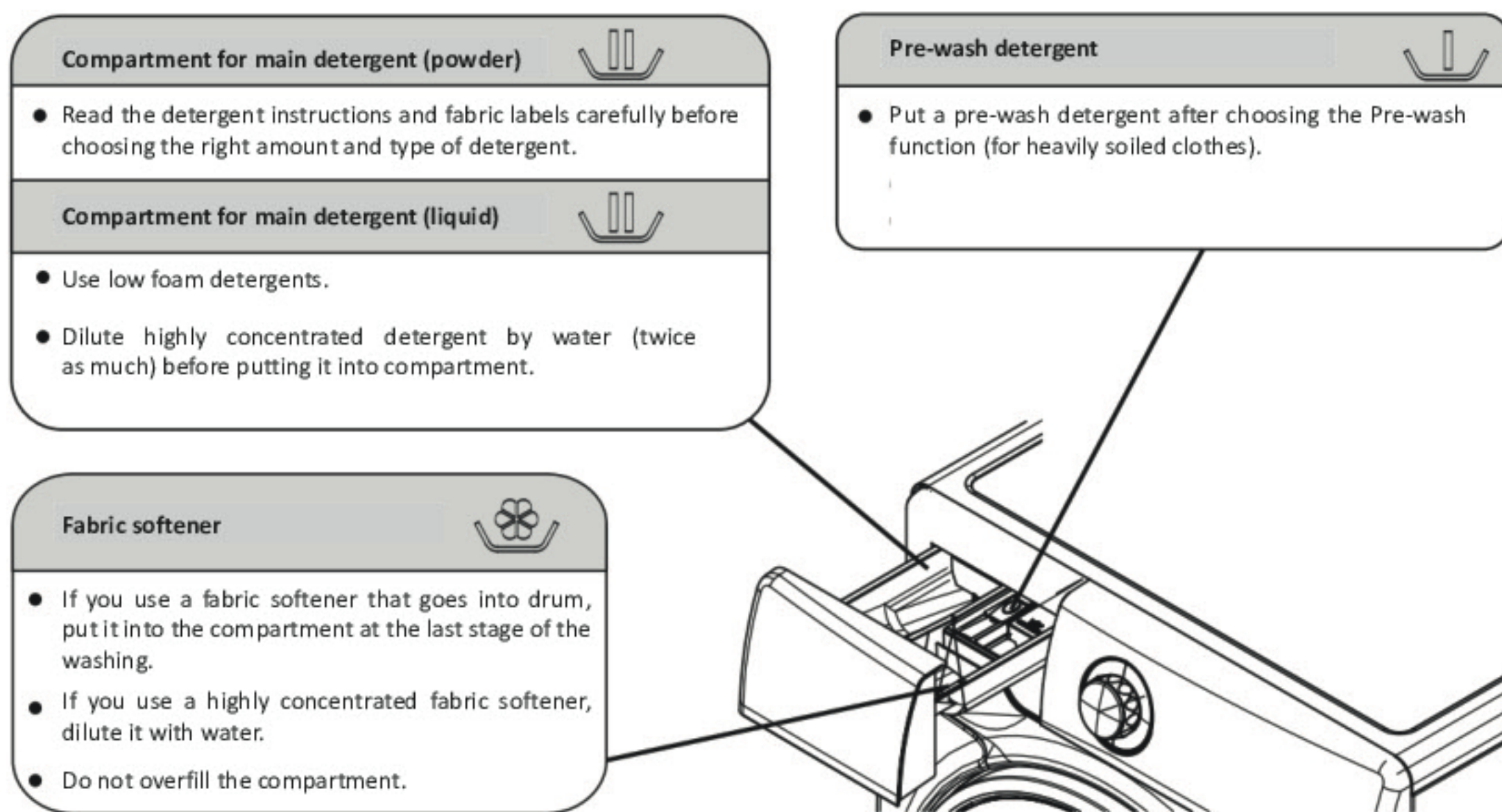
Symbol	Meaning	Symbol	Meaning
	Any washing is allowed		Maximum washing temperature 30 °C
	Gentle washing		Wash by hand Maximum washing temperature 30°C
	Maximum washing temperature 95 °C		Do not wash
	Maximum washing temperature 60 °C		Maximum washing temperature 40 °C
	Any bleaching agent allowed		Non-chlorine bleach allowed
	Can be bleached in cold water with chlorine bleach		Do not bleach
 	Do not tumble dry		Tumble drying is allowed



## Load balancing system

The appliance is equipped with an automatic load balancing system. During the spin cycle, if the laundry is distributed unevenly, the appliance will even out the load. If the clothes cannot be evenly distributed within the set time, the drum will not rotate to avoid strong vibration of the appliance. It is necessary to check that the clothes are not tangled. When washing a few pieces of clothing, such as a pair of jeans, sweater, bath towel, etc., the appliance may not complete the spin cycle to avoid damage. Wash large and small items together to facilitate distribution of the clothes and smooth completion of the spin cycle.

## Using the detergent dispenser

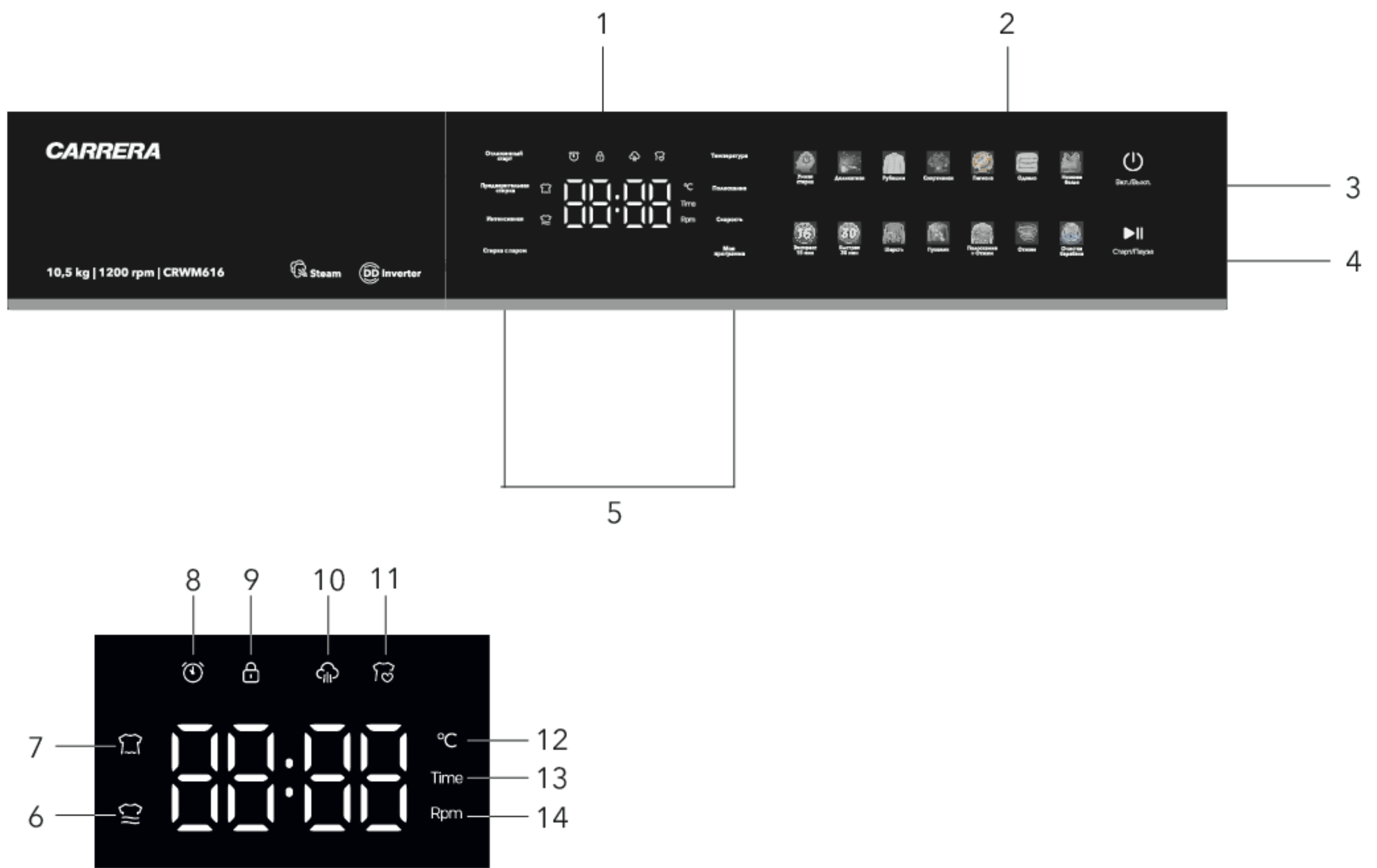


## Use of detergents

- Do not use too much detergent or detergent not designed for automatic washing machines, as this may cause excessive foam and affect the quality of the wash.
- If not enough powder is used, the laundry may become gray and limescale may form on the drum walls and the heating element.
- Select the detergent type and dosage according to the type of garment, color, water temperature and degree of soiling.
- Use a moderate detergent to enhance washing results and protect the environment.
- For heavily soiled white laundry, we recommend using the "Smart wash" program for washing at 60°C or higher and using a powder designed for intensive washing that includes bleaching agents. For washing at 40 to 60°C, the detergent should be selected based on the type of material and the degree of soiling. For heavily soiled white or colored fabrics, ordinary powder detergents are suitable, while for colored and not too dirty clothes, liquid detergents or "color protection" powders are suitable.
- For washing at temperatures below 40°C we recommend using liquid detergents or special powders for washing at low temperatures.








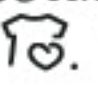



## Control panel



1. Display (indicates wash timer, delay timer, spin speed, error codes)
2. Programs
3. Power button
4. Start/Pause
5. Optional functions
6. Pre-wash indicator
7. Intensive wash indicator
8. Delay timer indicator
9. Door lock indicator
10. Steam cycle indicator
11. Favorite program indicator
12. Wash temperature
13. Timer



Symbol	Meaning
 Отложенный старт (Delay timer)	1. Select a program. 2. Pressing the delay timer button choose the delay time up to 24 h. 3. Press  . 4. To cancel the timer before start of the wash press  .
 Предварительная стирка (Pre-wash)	Use the function to remove stains more effectively. A prewash cycle will be performed before the main wash begins.
Интенсивная (Intensive)	Use the function to wash hard and coarse fabrics as well as to wash heavily soiled items. The function may be limited for some programs.
 Стирка с паром (Steam cycle)	Use the function to remove stubborn dirt and neutralize allergens more effectively. The function is available for <i>Умная стирка (Smart Wash)</i> , <i>Гигиена (Hygiene)</i> , <i>Одеяло (Blanket)</i> , and <i>Очистка барабана (Drum Clean)</i> .
Температура (Temperature)	Press the button to set the washing temperature in steps: <i>Cold water – 30 °C – 40 °C – 60 °C – 96 °C</i> . The function may be limited for some programs.
 Полоскание (Rinsing)	Press the button to select the desired number of rinsing cycles (1-5 cycles). The function may be limited for some programs.
Скорость (Speed)	Press the button to select the desired spin speed in steps: <i>1200 rpm – 1000 rpm – 800 rpm – 400 rpm – No spin</i> . The function may be limited for some programs.
 Моя программа (Favorite program)	Save your preferred settings in the appliance's memory to start washing quickly. To do this, set the desired settings, then press and hold the button until the display shows  . Two beeps will sound. In the future, you will only have to press the «Favorite program» button. Three beeps will sound. The appliance can save settings for one program only.
 Блокировка дверцы (Door lock)	The door locks automatically when the program starts and unlocks a few minutes after the program ends.



## Program description

Program	Max load, kg	Default temp. Temp. range, °C	Default speed Speed range, rpm	Time, min	Description
Умная стирка (Smart wash)	10,5	30 (cold water/40/60/90)	800 (0/400/800/1200)	48	Suits for washing normally soiled cotton laundry and is the most efficient program in terms of energy and water consumption for washing this type of fabric.
Деликатная (Gentle)	3	30 (cold water/40)	800 (0/400)	44	Suits for washing lace, fine linen, etc. The program helps to maintain the shape of the garment and the quality of the material.
Рубашки (Shirts)	3	30 (cold water/40)	800 (0/400)	28	Suits for washing shirts and blouses made of cotton, linen, synthetic and blended fabrics.
Спортивная (Sports-wear)	4	30 (0/40)	800 (0/400)	76	Suits for washing sportwear.
Гигиена (Hygiene)	4	60	800 (0/400/1000)	130	Suits for deep cleaning of cotton and linen fabrics.
Одеяло (Duvet)	3	40 (cold water/30/60)	800 (0/400/1000)	88	Suits for washing duvets. Straighten the item before loading.
Нижнее белье (Underwear)	3	30 (0/40)	800 (0/400)	26	Suits for washing underwear, bedding, baby clothing, and other items that come into direct contact with the skin.
Экспресс 15 мин (Express 15')	2	Cold water (30/40)	800 (0/400)	15	Suits for lightly soiled clothes that need to be freshened up.
Быстрая 30 мин (Quick 30')	2	30 (cold water/40)	800 (0/400)	30	Suits for quick washing of lightly soiled clothes.
Шерсть (Wool)	2	30 (cold water/40)	800 (0/400)	47	Suits for wool and knit fabrics. Make sure that the fabric is marked accordingly before selecting this program. At the end of the wash, quickly remove the garments from the drum to avoid shrinkage. Use special liquid detergents for woolen garments.



Пуховик (Puffer jacket)	3	30 (cold water/40)	800 (0/400)	67	Suits for washing puffer jackets. Straighten the items before loading.
Полоскание+отжим (Rinse+ spin)	10,5	-	800 (0/400/1000/1200)	16	The program is designed to remove excess detergent and moisture from the laundry.
Отжим (Spin)	10,5	-	800 (0/400/1000/1200)	10	The program is designed to remove excess moisture from laundry.
Очистка барабана (Drum clean)	-	60 (96)	800	75	The program is designed to clean the inner drum from dirt, unpleasant odors, and metal debris.

### Notes:

- Washing time may vary depending on load, speed and temperature settings.
- If the spin speed is too low, add an extra rinse.

## 08 CLEANING & MAINTENANCE

---

- Clean the appliance regularly to prolong its service life.
- Disconnect the appliance from the power supply before cleaning. Do not sprinkle water on the appliance.
- Wipe the housing with a soft cloth. If it is heavily soiled, use a suitable mild detergent. Do not use abrasive powders, solvents, gasoline, etc. to clean the housing.
- Clean the detergent tray regularly. Take it out and wash it under running water with a mild soap solution or detergent. Rinse, then put it back in. Do not use the appliance without the detergent dispenser.
- After washing, check the rubber seal on the door. Remove any foreign objects from it: coins, keys, paper, etc.

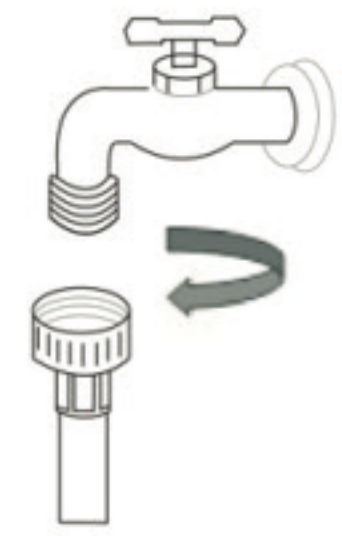
**Note:** close the water tap after each wash. This will limit wear and tear on the hydraulic system inside the appliance and help prevent leaks.



### **Cleaning of the fitting (recommended once every six months)**

Debris buildup in the fitting will affect the water flow.

Remove the hose from the universal fitting by unscrewing as indicated by the arrow in the picture. Clean the inside of the fitting, including the threads. Put the cleaned fitting back on the water hose.



### **Cleaning the inlet valve (recommended once every six months)**

Disconnect the pipe hose from the appliance. Remove the mesh filter from the inlet valve. Clean it with a toothbrush. Carefully reinstall the hose.



### **Cleaning the drum (recommended once a month)**

Over time, dirt may accumulate in the drum and cause an unpleasant odor. Metal debris left in the drum may cause rust and stains on the drum. Use the "Drum Clean" program.

### **WARNING!**

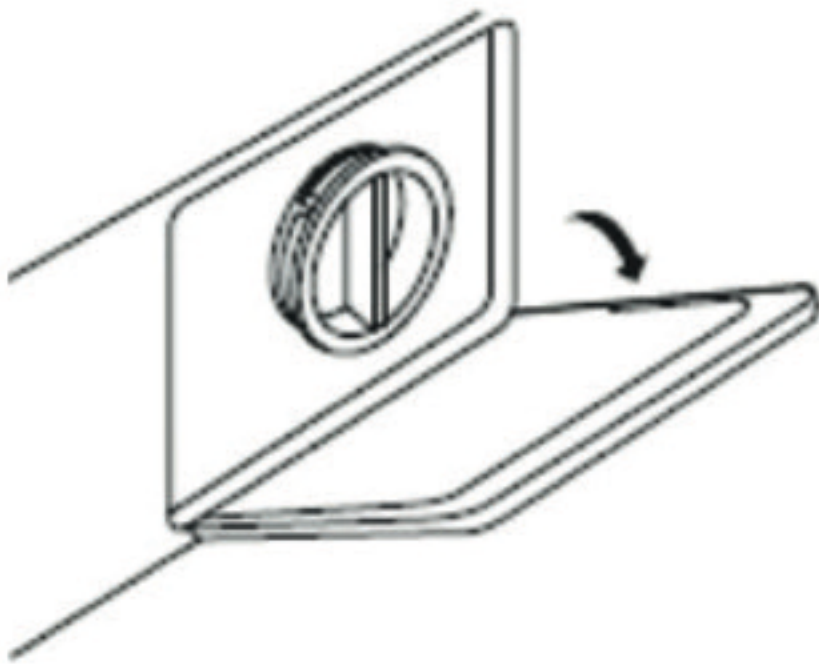
**Do not put any items or detergent in the appliance while the drum is cleaning and do not use cleaning agents.**

### **Maintenance if water has frozen in the appliance**

Wrap a hot towel around the frozen faucet/fitting. Remove the inlet hose and place it in water with a temperature of 20 to 50 °C. Fill the drum with approximately 2 to 3 liters of 50 °C water. Connect the hose, open the faucet and turn the appliance on, check if the inlet and drain hoses work properly.



## Cleaning the drain filter (recommended every 3 months)



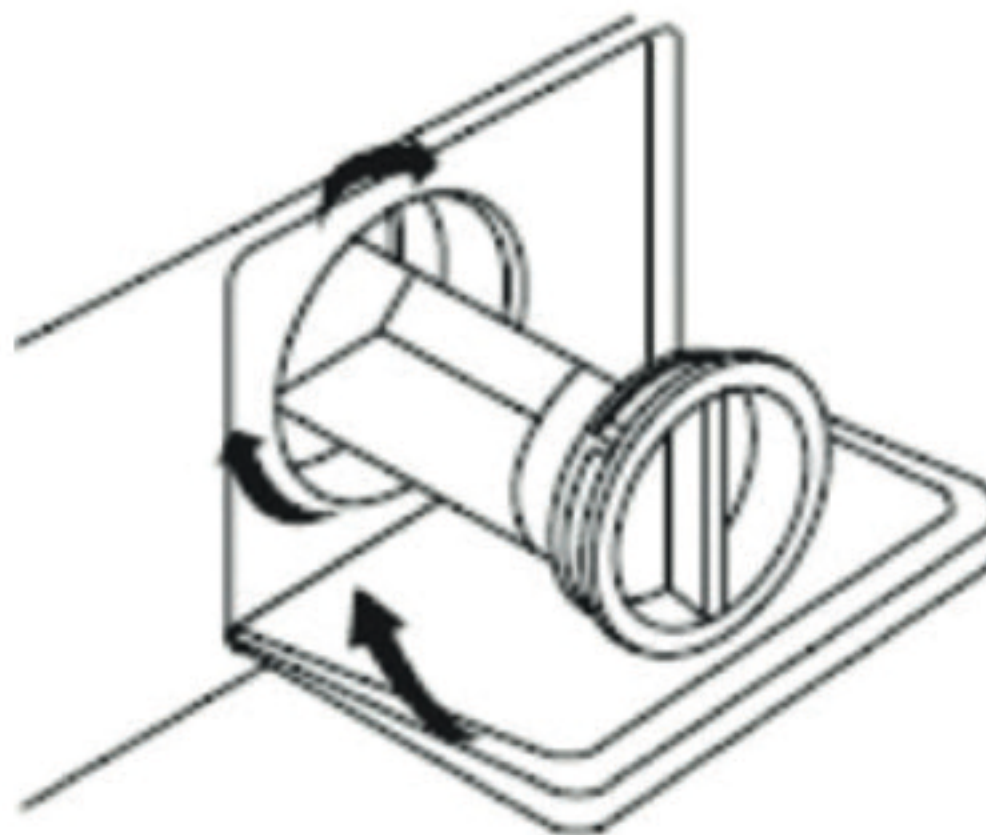
After draining the water and disconnecting the appliance from the power supply, press the latch and open the drain filter cover. Be careful not to burn yourself!



Remove the filter by turning it counterclockwise.



Rinse the filter thoroughly.



Reinstall the filter by carefully screwing it clockwise and close the cover.

### **WARNING!**

- **The filter must be tightened firmly to prevent leakage.**
- **Do not clean the filter while the appliance is on.**

### **Descaling**

If you use the right amount of detergent and using the appliance regularly, descaling is not necessary. If descaling is still needed, use a small amount of special descaling agent.

### **WARNING!**

**Descalers usually contain acids that can damage parts of the washing machine and discolor the laundry.**

Check the inlet hose (recommended once a year)

If there is any damage, replace the hose immediately: during washing, the water pressure is very high and a damaged hose can easily leak.



Cleaning the detergent dispenser (recommended once every three months)

1. Remove the dispenser by pulling it towards you.
2. Rinse all parts in running water to remove detergent and fabric softener residue.
3. Clean it with a soft brush, wipe dry with a dry cloth.
4. Replace the dispenser.

## **WARNING!**

**The detergent tray is not dishwasher safe.**

## **09 ERROR CODES**

<b>Error code</b>	<b>Problem</b>	<b>Solution</b>
UE	Drum balancing problem.	<ul style="list-style-type: none"> <li>• Make sure that the transportation bolts are removed.</li> <li>• Move the appliance to a more level and stable surface.</li> <li>• Too little laundry is loaded in the appliance: add more items.</li> <li>• Check and, if necessary, tighten the lock nuts on the appliance feet.</li> </ul>
IE	The appliance was unable to draw water at the set time.	<ul style="list-style-type: none"> <li>• Check and, if necessary, open the tap.</li> <li>• If the water supply is cut off or the pressure is too low, correct the problem and wait a while.</li> <li>• Tap/fittings are frozen: warm them up with hot water.</li> <li>• Check and clean the filters.</li> </ul>
OE	The appliance was unable to drain water from the drum.	<ul style="list-style-type: none"> <li>• Check the hose and drain pump for blockages and clean if necessary.</li> <li>• Tap/fittings are frozen: warm them up with hot water.</li> <li>• Make sure that the end of the drain hose is no higher than 1 meter.</li> </ul>
DE	The door is not closed.	<ul style="list-style-type: none"> <li>• Close the door and restart the program.</li> </ul>
HE	Error of the temperature sensor.	<ul style="list-style-type: none"> <li>• Contact an authorized service center.</li> </ul>
FE	The water level limit in the drum has been reached.	<ul style="list-style-type: none"> <li>• Turn off the tap, unplug the appliance and call a specialist.</li> </ul>
LE or CE	The drum is not spinning/the water is not heating up.	<ul style="list-style-type: none"> <li>• Contact an authorized service center.</li> </ul>
PE	The water level sensor does not measure the water level in the drum correctly.	<ul style="list-style-type: none"> <li>• Make sure that the water level sensor is correctly installed and screw it in if necessary.</li> </ul>
PF	Power failure.	<ul style="list-style-type: none"> <li>• Turn the appliance off, wait a few minutes then turn it on again.</li> </ul>



## 10 TROUBLESHOOTING

Problem	Possible cause	Solution
The problem does not turn on.	<ol style="list-style-type: none"> <li>1. The plug is not fully inserted into the socket.</li> <li>2. The appliance is switched off.</li> <li>3. Power supply is cut off.</li> <li>4. The leak protection is activated.</li> </ol>	<ol style="list-style-type: none"> <li>1. Insert the plug all the way in and make sure that the mains voltage corresponds to the voltage specified in the technical specifications of the appliance.</li> <li>2. Press the Power button.</li> <li>3. Contact your power supplier.</li> <li>4. Disconnect the appliance from the mains and drain water from the drum if necessary. Connect the appliance to the mains.</li> </ol>
A program does not start.	The door is not closed.	Close the door.
The appliance is not drawing water.	<ol style="list-style-type: none"> <li>1. The inlet hose is twisted or</li> <li>2. The tap is closed.</li> <li>3. The filters are blocked.</li> </ol>	<ol style="list-style-type: none"> <li>1. Check and straighten the hose.</li> <li>2. Open the tap.</li> <li>3. Check and clean the filters.</li> </ol>
The appliance is continuously filled with water and constantly drained.	<ol style="list-style-type: none"> <li>1. The top point of the drain hose is too low.</li> <li>2. The drain hose is not connected properly to the sink trap, causing water to flow back into the appliance.</li> <li>3. The end of the drain hose is too far into the pipe.</li> </ol>	<ol style="list-style-type: none"> <li>1. Make sure the drain hose is positioned above the bottom of the sink so that water does not run back down the drain hose.</li> <li>2. Reinstall the hose according to the installation section.</li> <li>3. Make sure that the U-bracket is positioned at least 10 cm from the end of the drain hose.</li> </ol>
There is water left in the drum.		
The washing process has stalled.		
The appliance does not drain or spin.	The pump filter is blocked.	Clean the filter.
The program is running for too long.	The running time of the program depends on water pressure, water temperature, foaming, spin balance.	This is not a malfunction.
Strong vibration when spinning.	The feet are not levelled.	Adjust the feet in accordance with the Installation section of the manual.
Operating noise.	Some noises are made by the motor, the pump, the water flow.	This is not a malfunction.
No spinning.	The spin speed is set to zero.	Adjust the spin speed for the next wash or start the "Spin" program.
Too much foam.	<ol style="list-style-type: none"> <li>1. Too much detergent in the dispenser.</li> <li>2. Laundry detergent not suitable for front-loading washing machines has been used.</li> </ol>	<ol style="list-style-type: none"> <li>1. Use the right amount of the detergent.</li> <li>2. Use suitable detergent.</li> </ol>



Leakage from the dispenser.	<ol style="list-style-type: none"> <li>1. The compartments are clogged with detergent and need to be cleaned.</li> <li>2. The water pressure is too high.</li> </ol>	<ol style="list-style-type: none"> <li>1. Clean the dispenser.</li> <li>2. Contact your utility company.</li> </ol>
Other leakage.	The inlet hose fittings are loose.	Check fittings on both ends of the hose.
Unpleasant odor.	The drum is dirty.	Start "Drum Clean" program.
The door does not open.	<ol style="list-style-type: none"> <li>1. The program is not complete yet.</li> <li>2. Clothes are caught between the door and the door seal.</li> </ol>	<ol style="list-style-type: none"> <li>1. Wait until the end of the program.</li> <li>2. Pull the door with more force.</li> </ol>

## **WARNING!**

**Mechanical damage to the case, accessories and parts is not covered by the warranty.**

## **11 DISPOSAL**



To protect the environment, do not dispose of appliance and the batteries with household waste. Bring the appliance and batteries to specialized points for further disposal. For more information on the disposal of this product, contact your local authority, your household waste disposal service, or the retailer.

## **12 TRANSPORT AND STORAGE**

- Store the appliance in a clean, closed, dry room at an ambient temperature between 5 and 40 °C and a relative humidity of no more than 70%.

### ***When moving the appliance:***

- Unplug the appliance and cut off the water supply.
- Make sure that the door and detergent dispenser are properly closed. Completely drain the appliance.
- Disconnect the fill and drain hoses from the water supply and sewerage system. Install the 4 transportation bolts.
- Transport the appliance with care. Never hold on to any protruding parts of the appliance when lifting it. The appliance door must not be used as a handle.
- Transportation of the device can be carried out by all means of transport, in accordance with the rules for the carriage of goods. When transporting in the original packaging, protect the appliance from damage, preventing the exposure to precipitation and aggressive environments.
- When transporting the appliance without original packaging, use bubble wrap and corrugated cardboard packaging. Wrap each element of the appliance in a film and place it vertically in the container. The free distance between the elements of the product must be laid with air bubble wrap or folded cardboard.



## 13 WARRANTY

---

Organization for warranty service and acceptance of claims:

LLC "MVM", Russia, 105066, Moscow, Nizhnyaya Krasnoselskaya str., 40/12, building 20, floor 5, room II, room 3.

Phone: +7 (495) 644-28-48

Information about the warranty conditions:

<https://www.eldorado.ru/spv>

or by phone Eldorado – 8 (800) 250 25 25

<https://www.mvideo.ru/spv>

or by phone M.Video – 8 (800) 600 77 75

The seller's warranty is 12 months from the date of sale (transfer) of the goods to the Customer.

## 14 ADDITIONAL INFORMATION

---

### **Manufacturer: Skyworth Electric Co., Ltd.**

Adress: No. 96 New Energy Avenue, Skyworth Industrial Park, Lishui District, Nanjing City, Jiangsu Province, China

Made in China

Importer/Manufacturer's authorized company:

LLC "MVM", Russia, 105066, Moscow, Nizhnyaya Krasnoselskaya str., 40/12, building 20, floor 5, room II, room 3.

E-mail: [certlog@mvideo.ru](mailto:certlog@mvideo.ru)

Phone: +7 (495) 644-28-48

Installed by the manufacturer in accordance with paragraph 2 of article 5 of the Law of the Russian Federation "On Consumer Protection" the service life of this product is 5 years from the date of sale, provided that the product is used in accordance with the rules and recommendations set forth in these instruction manual and applicable technical standards.

There are no special conditions for the sale.

The date of manufacture is indicated (coded) on the serial number of the appliance where

the 1st and 2nd digits from the beginning are the month of manufacture;

the next 4 digits are the year of manufacture;

the last 7 digits are the serial number.

The product is certified, meets the requirements:

TR TS 004/2011 "On the safety of low-voltage equipment",

TR TS 020/2011 "Electromagnetic compatibility of technical means",

TR EAEU 037/2016 "On the restriction of the use of hazardous substances in products of electrical engineering and radio electronics".



Добро пожаловать в клуб **CARRERA!**

История бренда начинается в 1980-е гг. в Германии, когда дизайнеры разработали первые линейки техники для дома и для ухода за собой.

Инженеры и дизайнеры **CARRERA** вдохновлялись легендарной Carrera Panamericana – самой долгой и опасной гонкой 1950-х. На победу в гонке могли рассчитывать лишь те, кто выкладывался до конца и был готов выйти за пределы возможностей человека и техники.

Эта философия и легла в основу всех продуктов **CARRERA.**

Для каждого устройства используются Hi-Tech компоненты и высококачественные материалы. Акцент делается на мощность, качество, инновационность и функциональный дизайн.

Такой подход нашел отклик в сердцах миллионов покупателей: в настоящий момент узнаваемость бренда в Европе достигла 90 %, а продукты **CARRERA** стали признанным воплощением немецкой точности и мастерства.

Сегодня **CARRERA** продолжает инвестировать в научные исследования и развитие. В каждом созданном продукте сочетается комфорт, производительность и роскошь.

**CARRERA** – это не просто техника.  
Это стиль жизни.



---

# СОДЕРЖАНИЕ

---

01	Меры безопасности	27
02	Назначение	29
03	Схема прибора	29
04	Технические характеристики	31
05	Комплектация	32
06	Установка	32
07	Эксплуатация	36
08	Уход и очистка	45
09	Коды ошибок	47
10	Устранение неисправностей	48
11	Утилизация	50
12	Транспортировка и хранение	50
13	Гарантия	51
14	Дополнительная информация	51



## 01 МЕРЫ БЕЗОПАСНОСТИ

---

Перед использованием прибора внимательно ознакомьтесь с настоящим руководством пользователя. Сохраняйте настоящее руководство пользователя, чек, упаковочную коробку и по возможности другие элементы упаковки прибора.

Не используйте прибор не по назначению.

- Регулярно проверяйте прибор и его кабель для выявления повреждений. Запрещено использовать прибор в случае обнаружения каких-либо повреждений.
- Прибор очень тяжелый. Во избежание травм не пытайтесь транспортировать или поднимать его в одиночку. При транспортировке запрещается наклонять прибор более чем на 30°.
- Запрещается отсоединять панели или разбирать прибор.
- Повреждение сетевого шнура может привести к поражению током, короткому замыканию или возгоранию из-за перегрева. Следите, чтобы сетевой шнур не был согнут или зажат и не соприкасался с источниками тепла.
- Напряжение в электросети в штепсельной розетке должно соответствовать номинальному напряжению, указанному в технических характеристиках прибора. Прибор должен быть подключен только к сети переменного тока с использованием розетки с защитным контактом, установленной надлежащим образом. Эта розетка должна всегда находиться в открытом доступе.
- Вилка и розетка с защитным контактом должны соответствовать друг другу; система заземления должна быть правильно смонтирована.
- Сетевая вилка должна всегда находиться в открытом доступе. Если это невозможно, убедитесь, что переключатель (всеполюсный выключатель сети) встроен в стационарное оборудование в соответствии с правилами установки электрооборудования.
- Не подключайте прибор через многоместную розетку, удлинитель или адаптер. При включении и отключении шнура питания из розетки держите его за вилку. Если контактный разъем шнура питания загрязнен, протрите его сухой тканью. Не включайте и не отключайте вилку из розетки влажными руками.
- Запрещается подключать прибор к источнику питания через внешнее переключающее устройство, например таймер, а также подключать его к цепи, которая регулярно включается и выключается коммунальной службой.
- Отключайте прибор от сети при длительном перерыве в эксплуатации, а также при чистке, обслуживании и ремонте.



- Необходимо использовать только новые комплекты шлангов, поставляемые вместе с прибором. Не следует повторно использовать старые шланги.
- Надежно закрепите шланг для слива воды и убедитесь, что сточная канализация не засорена.
- Не устанавливайте прибор вне помещений или в помещениях с влажной средой. Не допускайте, чтобы на панель управления попадала вода.
- Если в холодное время года сливной, либо заливной шланг замерзнут, то перед использованием необходимо дать им оттаять.
- Не используйте прибор в помещении, где произошла утечка газа. Не используйте прибор при температуре ниже 0 °С.
- Предохраняйте прибор и сетевой кабель от воздействия высоких температур и попадания прямых солнечных лучей.
- Не используйте вблизи прибора горючий газ или легковоспламеняющиеся вещества (бензол, бензин, растворитель, нефть, спирт и т. д.).
- Следите за тем, чтобы под прибором и вокруг него не было горючих материалов, например пуха, бумаги, тряпок, химикатов и т. д.
- Не допускайте, чтобы внутрь прибора попадали легковоспламеняющиеся горючие вещества.
- Не устанавливайте прибор за запираемой дверью, сдвижной дверью или дверью с петлями на стороне, противоположной петлям дверцы прибора.
- Стиральные машины с вентиляционными отверстиями в основании не должны устанавливаться на ковер.
- В процессе работы прибор может вибрировать. Устанавливайте прибор на ровную устойчивую поверхность.
- Во время работы программ с высокой температурой воды стекло дверцы нагревается. Не прикасайтесь к стеклу сами и следите, чтобы к нему не прикасались дети.
- Не кладите на крышку прибора тяжелые предметы. Не опирайтесь на открытую дверцу прибора.
- Не используйте острые предметы для управления прибором через панель управления.
- Не закрывайте вентиляционные отверстия на корпусе или во встраиваемой конструкции прибора.
- Запрещается прикасаться ко внутренним частям работающего прибора. Дождитесь полной остановки барабана.
- Не превышайте максимальный объем загрузки.
- Заливайте моющее или чистящее средство в соответствии с рекомендациями изготовителя.
- Моющие средства и средства по уходу могут вызвать отравление. При случайном проглатывании обратитесь за медицинской помощью.



- Храните моющие средства и средства по уходу в недоступном для детей месте. Стирайте только вещи, пригодные для стирки. Если сомневаетесь, следуйте инструкциям на бирке белья.
- Во избежание пожара или взрыва не кладите внутрь и не стирайте вещи, очищенные, смоченные, пропитанные или загрязненные горючими либо взрывоопасными веществами (воском, маслом, краской, бензином, обезжиривателями, растворителями для химчистки, керосином, растительным маслом и другими кулинарными маслами и т. д.).
- Не стирайте вещи из водонепроницаемых тканей, такие как куртки, дождевики, пуховики, спальные мешки и т. п.
- При отключении питания замок дверцы может быть разблокирован, даже если внутри барабана имеется вода. Поэтому прежде чем открывать дверцу, проверьте уровень воды в барабане.
- Прибор не предназначен для использования лицами (включая детей) с пониженными физическими, сенсорными или умственными способностями или при отсутствии у них жизненного опыта или знаний, если они не находятся под присмотром или не проинструктированы об использовании прибора лицом, ответственным за их безопасность. Дети должны находиться под присмотром для недопущения игр с прибором.
- Не оставляйте детей младше трех лет рядом с прибором без присмотра.
- После распаковки уберите упаковочную коробку, пленку и части упаковки и не позволяйте детям играть с ней.
- Не разрешайте детям пользоваться прибором или забираться на него.
- После завершения стирки закрывайте дверцу, чтобы дети или домашние животные случайно не забрались в барабан.
- Запрещается самостоятельно ремонтировать прибор или менять детали. Все работы по ремонту и обслуживанию должны выполняться квалифицированным специалистом. Допускается использовать только оригинальные запчасти.
- При повреждении шнура питания его замену во избежание опасности должны производить изготовитель, сервисная служба или подобный квалифицированный персонал.



## 02 НАЗНАЧЕНИЕ

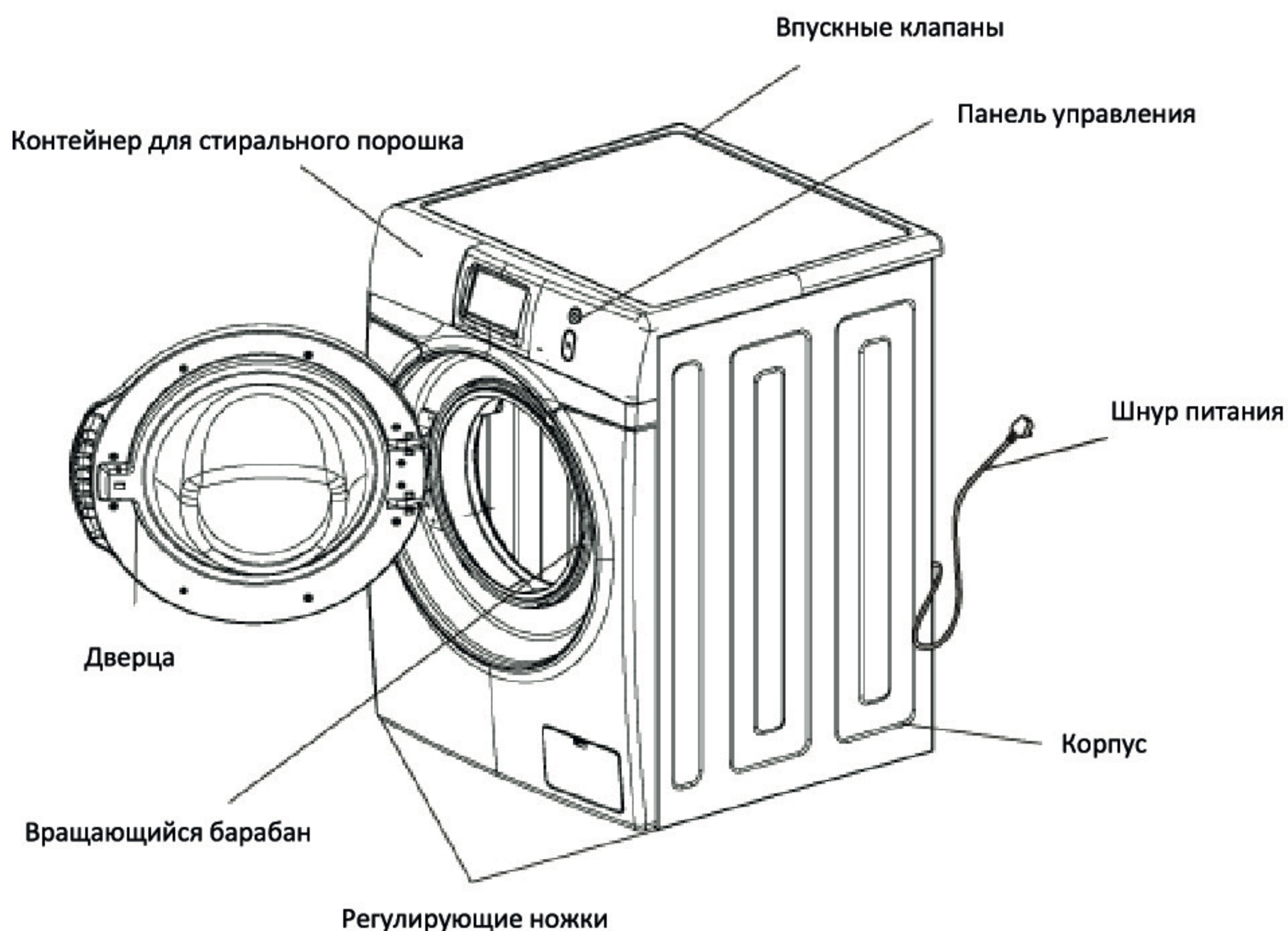
---

Прибор предназначен для стирки текстильных изделий (одежды, нижнего и постельного белья, сумок и других вещей), с постоянным подключением к электросети, водопроводу и канализации.

Данный прибор предназначен для работы в бытовых или коммерческих зонах в соответствии с назначением и мерами безопасности, описанными в данном руководстве пользователя.

## 03 СХЕМА ПРИБОРА

---



**Примечание:** данное изображение схематично, внешний вид вашего прибора может отличаться.



## 04 ТЕХНИЧЕСКИЕ ХАРАКТЕРИСТИКИ

<b>Модель</b>	<b>CRWM616</b>
Объем барабана, л	64
Максимальная потребляемая мощность, Вт	1850
Номинальная потребляемая мощность (нагрев), Вт	1650
Номинальная мощность стирки, Вт	200
Потребляемая мощность при отжиге, Вт	500
Напряжение	220-240 В~, 50 Гц
Давление воды, МПа	0,03-1
Электропотребление, кВт/год	242
Потребление воды, л/год	15400
Класс влагозащиты	IPX4
Тип загрузки	фронтальная
Максимальная загрузка сухой одежды (стирка), кг	10,5
Переменная скорость отжима, об/мин	1200
Интеллектуальная система стирки	есть
Автоматическая балансировка белья	есть
Автоматическое определение объема загрузки	есть
LED-дисплей	есть
Тип двигателя	DD
Класс энергоэффективности	A
Индекс эффективности стирки	1,08
Отложенный старт	3-24 ч
Уровень шума при отжиге, дБА	до 68
Уровень шума при стирке, дБА	до 48
Цвет	серый
Габаритные размеры (Ш × Г × В), мм	595 × 600 × 850
Габариты упаковки (Ш × Г × В), мм	652 × 671 × 885
Масса нетто, кг	73
Масса брутто, кг	79



## 05 КОМПЛЕКТАЦИЯ

---

- Стиральная машина
- Заливной шланг
- Заглушки для отверстий от транспортировочных болтов: 4 шт.
- Ключ для регулировки ножек
- Инструкция по эксплуатации

## 06 УСТАНОВКА

---

- После хранения или транспортировки прибора в условиях пониженной температуры перед включением рекомендуется выдержать прибор в тепле в течение шести часов. Температура в помещении, где установлен прибор, должна быть всегда выше 0°C (температуры заморозания воды).
- Извлеките прибор из упаковки, освободив его от транспортировочных элементов. Убедитесь, что комплектация прибора соответствует заявленной производителем, а элементы прибора не повреждены.
- Проведите все мероприятия по установке. Подключите прибор к электросети.

### **Выбор места установки**

- Угол наклона при установке прибора не должен превышать 1°.
- Вентиляционные проемы и отверстие на передней или задней стенке прибора должны быть свободными.
- Прибор нельзя устанавливать вплотную к стене и мебели.
- Расстояние между прибором и розеткой должно быть не более 1,5 метров (с легким доступом к розетке).
- Помещение должно быть чистым. Пыль и грязь, попавшие на прибор, могут негативно отразиться на его работоспособности.
- Пол, на котором стоит прибор, должен иметь бетонное основание, быть сухим и чистым, чтобы прибор не скользил. Необходимо также очистить основание регулируемых ножек.

### **ВНИМАНИЕ!**

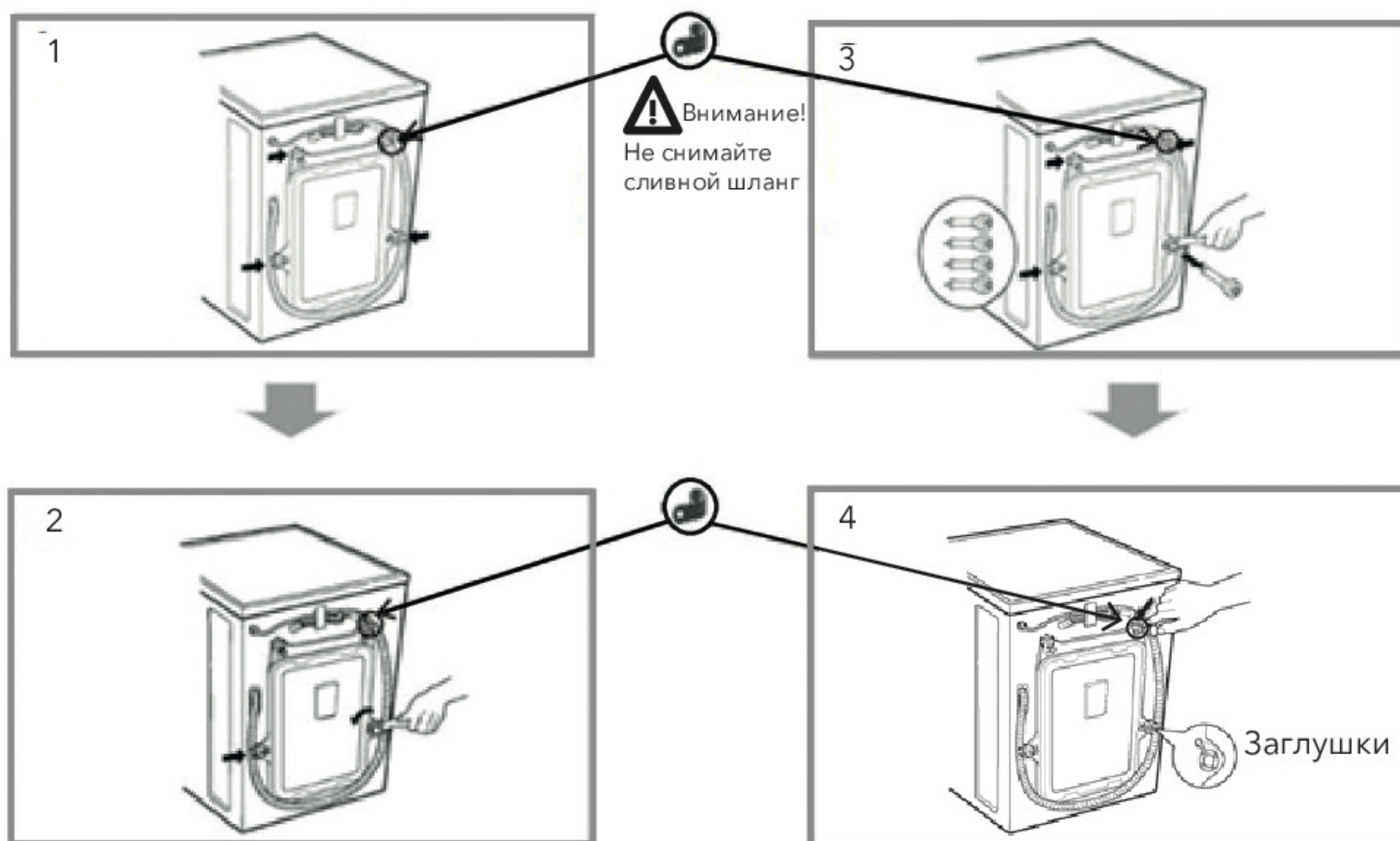
**Не размещайте прибор на платформе, стоящей выше пола, в противном случае прибор может упасть.**



## Демонтаж транспортировочных болтов

Для того, чтобы предотвратить повреждение прибора во время транспортировки, устанавливаются транспортировочные болты, которые фиксируют бак. Если эти болты не демонтировать при установке прибора, то при стирке/отжиме будет наблюдаться сильная вибрация и шум.

Открутите транспортировочные болты с помощью гаечного ключа. Слегка поверните резиновую прокладку и извлеките болты. Сохраните болты и установите их заново при повторной транспортировке прибора. Закройте отверстия для болтов заглушками, входящими в комплект поставки.

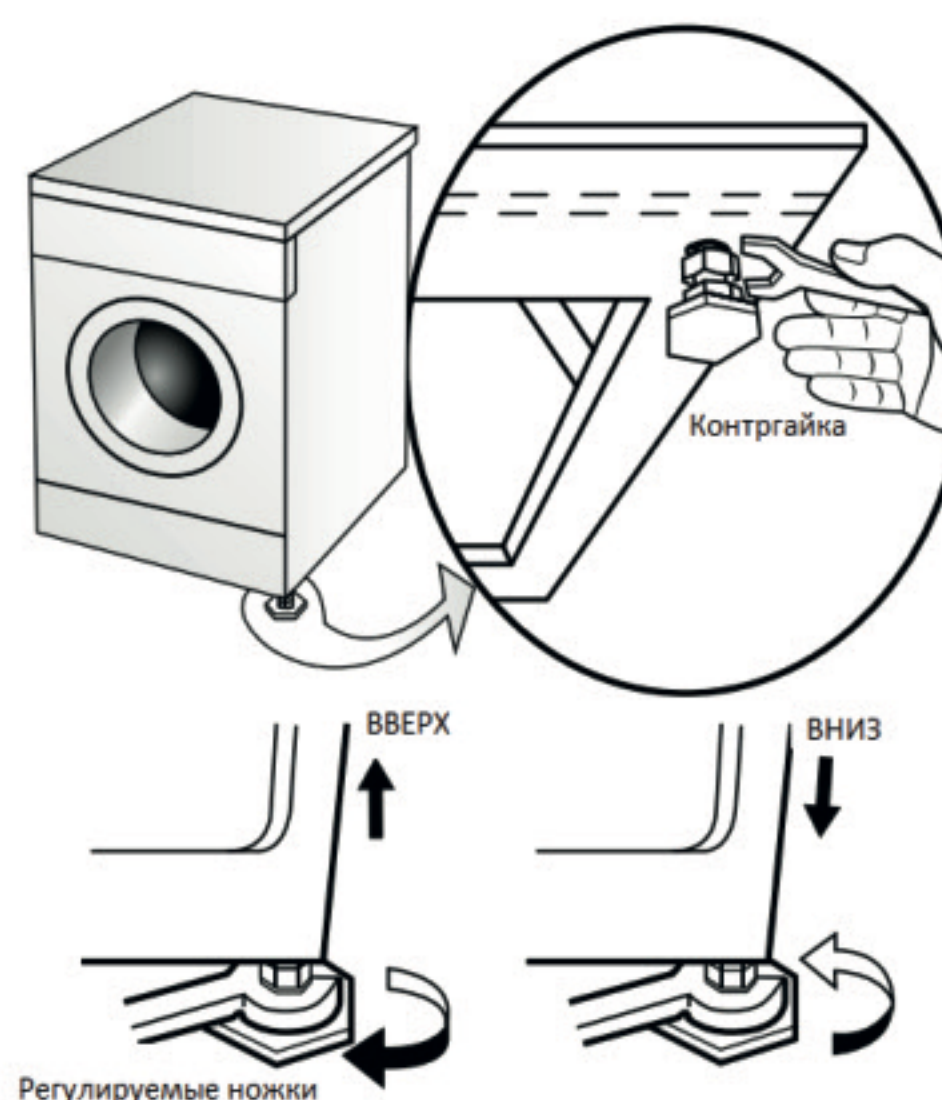




## Выравнивание

Во избежание шума и вибрации отрегулируйте уровень установки прибора. Если поверхность пола неровная, отрегулируйте уровень установки, вращая ножки (ни в коем случае не подставляйте под ножки деревянные подставки или что-то подобное). Ослабьте контргайки на ножках.

Отрегулируйте ножки так, чтобы прибор стоял параллельно поверхности пола. Убедитесь, что все 4 ножки плотно касаются пола и прибор стоит ровно и плотно. Закрутите на ножках контргайки гаечным ключом.



**Примечание:** нажмите на все углы прибора, и если он качается, отрегулируйте ножки.

## Установка заливного шланга

Прибор необходимо подключить к водопроводной трубе с помощью заливного шланга. Проверьте наличие резиновых прокладок на обеих сторонах шланга. При необходимости вставьте резиновые прокладки в резьбовые фитинги каждого шланга, чтобы обеспечить герметичность.

Закрутите вручную один конец заливного шланга на впускном отверстии на приборе, а второй конец – на кране подачи воды, а затем затяните, повернув с помощью инструмента на четверть/пол-оборота.

Не повредите резьбу при соединении шланга. Регулярно проверяйте шланг и заменяйте его по мере необходимости. Следите, что шланг не был поврежден и не перекручивался.

После соединения включите воду, чтобы промыть шланг от инородных веществ (грязь, песок, пыль). Слейте воду в ведро и проверьте температуру воды.

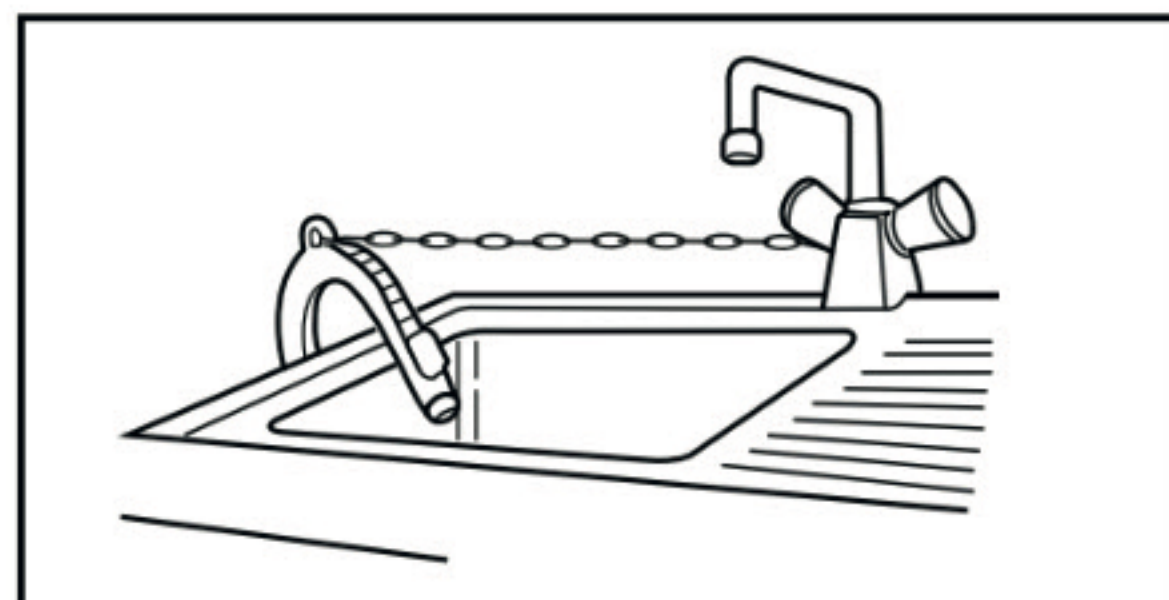
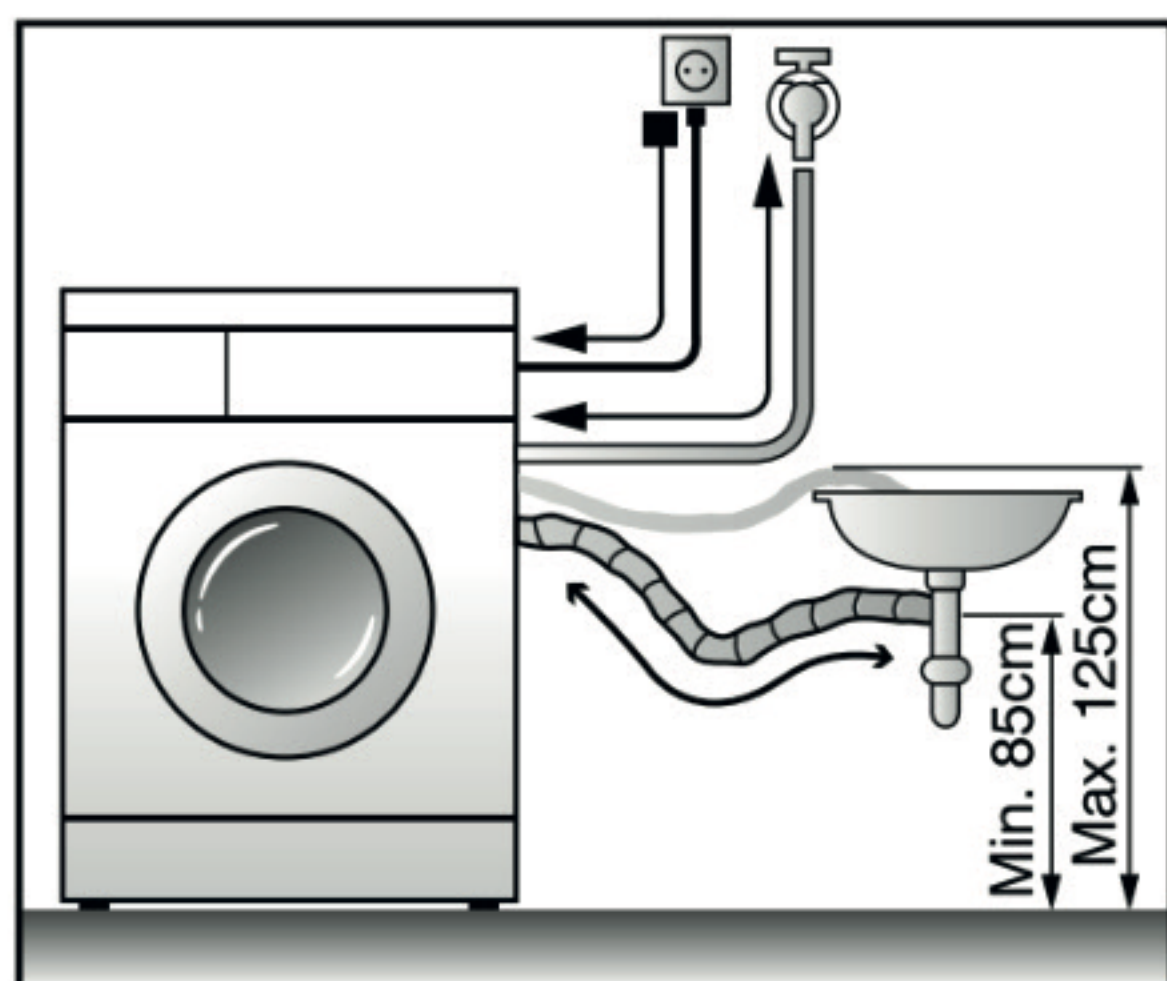




## Установка сливного шланга

Сливной шланг одним концом уже установлен в прибор. Не повредите резьбу при соединении шланга. Регулярно проверяйте шланг и заменяйте его по мере необходимости. Следите, что шланг не был поврежден и не перекручивался.

Подключите шланг к специальному ответвлению в сифоне раковины. Ответвление должно располагаться выше сифона слива раковины, чтобы конец шланга находился не ниже 80 см и не выше 1,25 м над уровнем пола.



## ВНИМАНИЕ!

- Не перетяните крепление шлангов. Повреждение шлангов может привести к протечке.
- Включив воду, проверьте, не протекают ли шланги. В случае протечки заново установите шланги.
- Чтобы избежать эффекта сифона, сливной шланг должен находиться ниже выходного отверстия прибора, а конец шланга не должен находиться в воде.
- Если сливной шланг слишком длинный, не пытайтесь вставить его внутрь прибора силой.
- Если вы планируете долгое время не пользоваться прибором, перекройте подачу воды.



## **Подключение к электросети**

Установите прибор в месте, где есть легкий доступ к розетке. Не используйте для подключения монтажные электрические панели или другое подобное оборудование.

Прибор оснащен устройством заземления. В случае возникновения каких либо неполадок заземление позволяет снизить риск поражения током. Прибор поставляется вместе с кабелем. Вилка должна подключаться к специальной розетке с заземлением. Если вилка не подходит к розетке, не меняйте их самостоятельно.

## **ВНИМАНИЕ! Строго обязательно использование заземления!**

Если электрическая проводка/кабель питания повреждены, свяжитесь с квалифицированным специалистом для замены.

После завершения каждой стирки вынимайте вилку из розетки и перекрывайте кран подачи воды. При проявлениях неисправности отключите электропитание и свяжитесь с квалифицированным специалистом

## **07 ЭКСПЛУАТАЦИЯ**






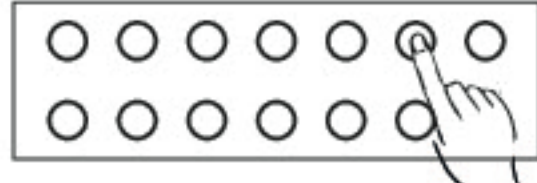


---

### **Перед первой стиркой**

Чтобы убрать возможные остатки воды в барабане и неприятный запах, перед первой стиркой запустите прибор в режиме «Умная стирка» при температуре 96 °С без белья и без стирального порошка. Во время стирки возможен шум – это не является неисправностью.



## Быстрый старт

<p>1</p>  <p>Подключите прибор к электросети.</p>	<p>2</p>  <p>Откройте водопроводный кран.</p>	<p>3</p>  <p>Загрузите белье и закройте дверцу.</p>
<p>4</p>  <p>Добавьте моющее средство.</p>	<p>5</p>  <p>6</p>  <p>7</p>  <p>Нажмите на кнопку включения, выберите программу и дополнительные функции.</p>	<p>8</p>  <p>Нажмите «Старт/Пауза». При необходимости прервать стирку, снова нажмите «Старт/Пауза», затем кнопку выключения для сброса настроек.</p>

**Примечание:** убедитесь, что дверца барабана надежно закрыта.

### Подготовка белья к стирке

Извлеките из белья все незакрепленные предметы, мусор или металлические предметы, такие как булавки, скрепки, монеты и т. д.

Застегните молнии и чехлы для подушек, пододеяльники и т. д.

Снимите крепления штор или поместите их в сетчатый мешок. Особенно деликатные предметы, такие как колготки, кружева, детские носки или носовые платки следует стирать только в сетчатом мешке или наволочке. Некоторые предметы лучше вывернуть наизнанку, например трикотажные изделия, брюки, футболки и толстовки.

Бюстгалтеры с проволочными чашечками поместите в чехол, который можно надежно застегнуть на молнию или пуговицу. Если проволока сама выйдет из чашечки, она может повредить барабан.



## **Сортировка белья по цвету**

Никогда не стирайте новые разноцветные вещи вместе с другим бельем. Стирайте белые вещи отдельно от цветных. В противном случае белые вещи могут стать серыми.

## **Сортировка белья по степени загрязнения**

### *Легкое загрязнение*

Видимых загрязнений или пятен нет, но возможно наличие запаха. К этой категории можно отнести легкую летнюю одежду: футболки, рубашки или блузки, надетые только один раз, а также постельное белье или гостевые полотенца.

### *Обычное загрязнение*

Есть видимые загрязнения или несколько светлых пятен. К этой категории можно отнести футболки, рубашки или блузки с запахом пота или надетые несколько раз, а также небольшие полотенца или постельное белье после одной или более недели использования; шторы без пятен, которые не стирали до полугода.

### *Сильное загрязнение*

Есть видимые загрязнения и пятна. К этой категории можно отнести кухонные полотенца, тканевые салфетки, детские нагрудники, детскую верхнюю одежду или футбольные майки и рубашки, испачканные травой или грязью. Сюда можно отнести спецодежду и джинсы, а также другую одежду для работы и деятельности вне дома.



## Сортировка белья в соответствии с указаниями по уходу на этикетках

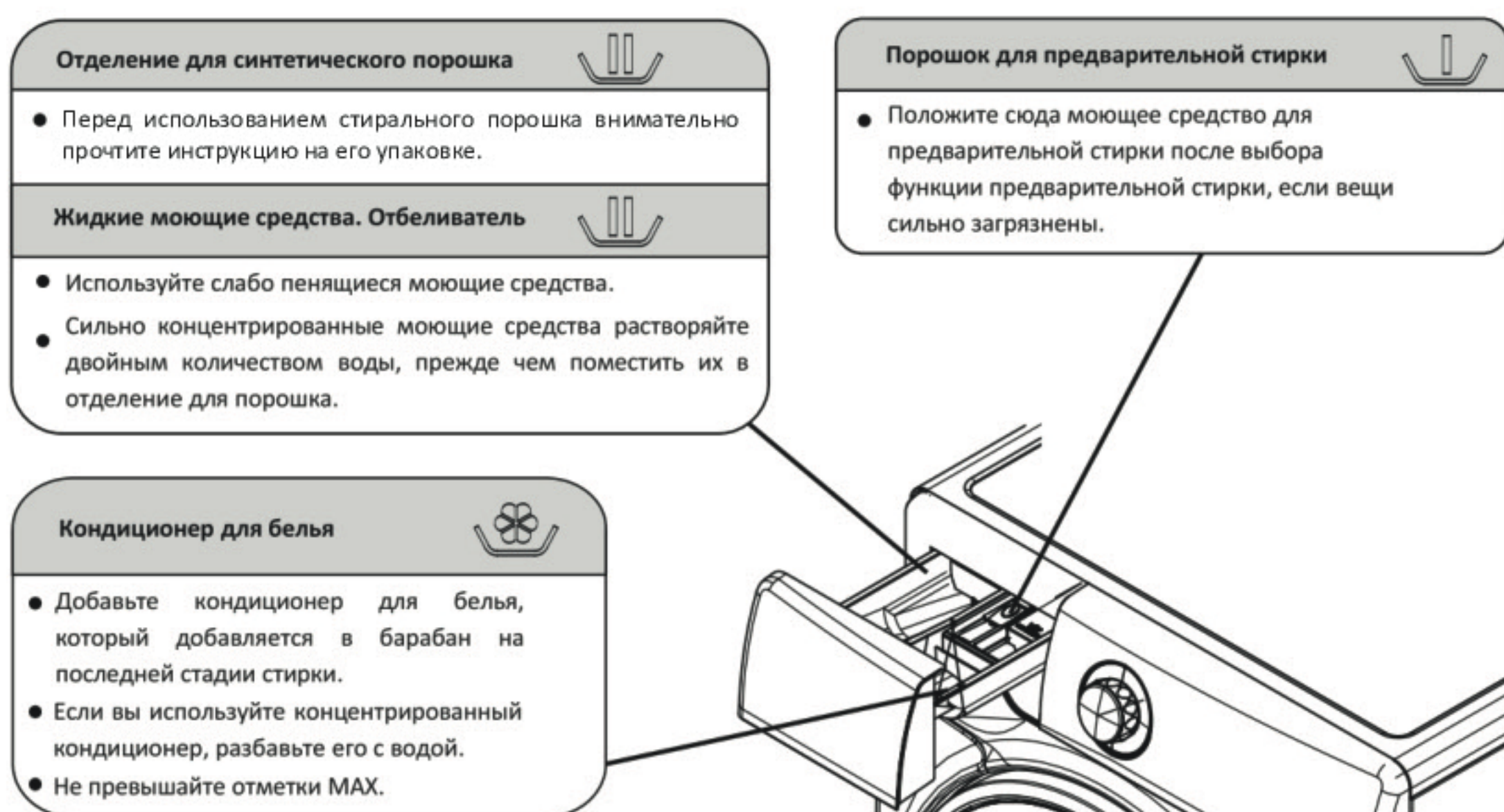
Символ	Обозначение	Символ	Обозначение
	Допускается стирка, кипячение, замачивание и полоскание		Можно стирать при температуре 30 °С
	Деликатная стирка		Только ручная стирка при температуре не выше 30 °С
	Можно стирать при температуре 95 °С		Запрещено стирать в стиральной машине, только сухая химическая чистка
	Можно стирать при температуре 60 °С		Можно стирать при температуре 40 °С
	Отбеливание разрешено		Допускается отбеливание без хлора
	Можно отбеливать в холодной воде с использованием хлорных отбеливателей		Не использовать отбеливатель
	Отжим и барабанная сушка запрещены		Разрешено отжимать в стиральной машине и высушивать электросушилкой

### Система балансировки нагрузки

Прибор оснащен системой автоматической балансировки нагрузки. В процессе отжима, если белье распределено неравномерно, прибор будет выравнивать белье до тех пор, пока оно не будет распределено равномерно. Если одежда не может быть равномерно распределена в течение заданного времени, барабан не будет вращаться во избежание сильной вибрации прибора. Необходимо проверить, не запуталась ли одежда. При стирке небольшого количества одежды, например, пары джинсов, свитера, банного полотенца и т. д., прибор может не завершить процесс отжима во избежание повреждений. Стирайте крупные и маленькие вещи вместе как можно чаще, чтобы облегчить равномерное распределение одежды и плавно завершить процесс отжима.



## Лоток для моющих средств

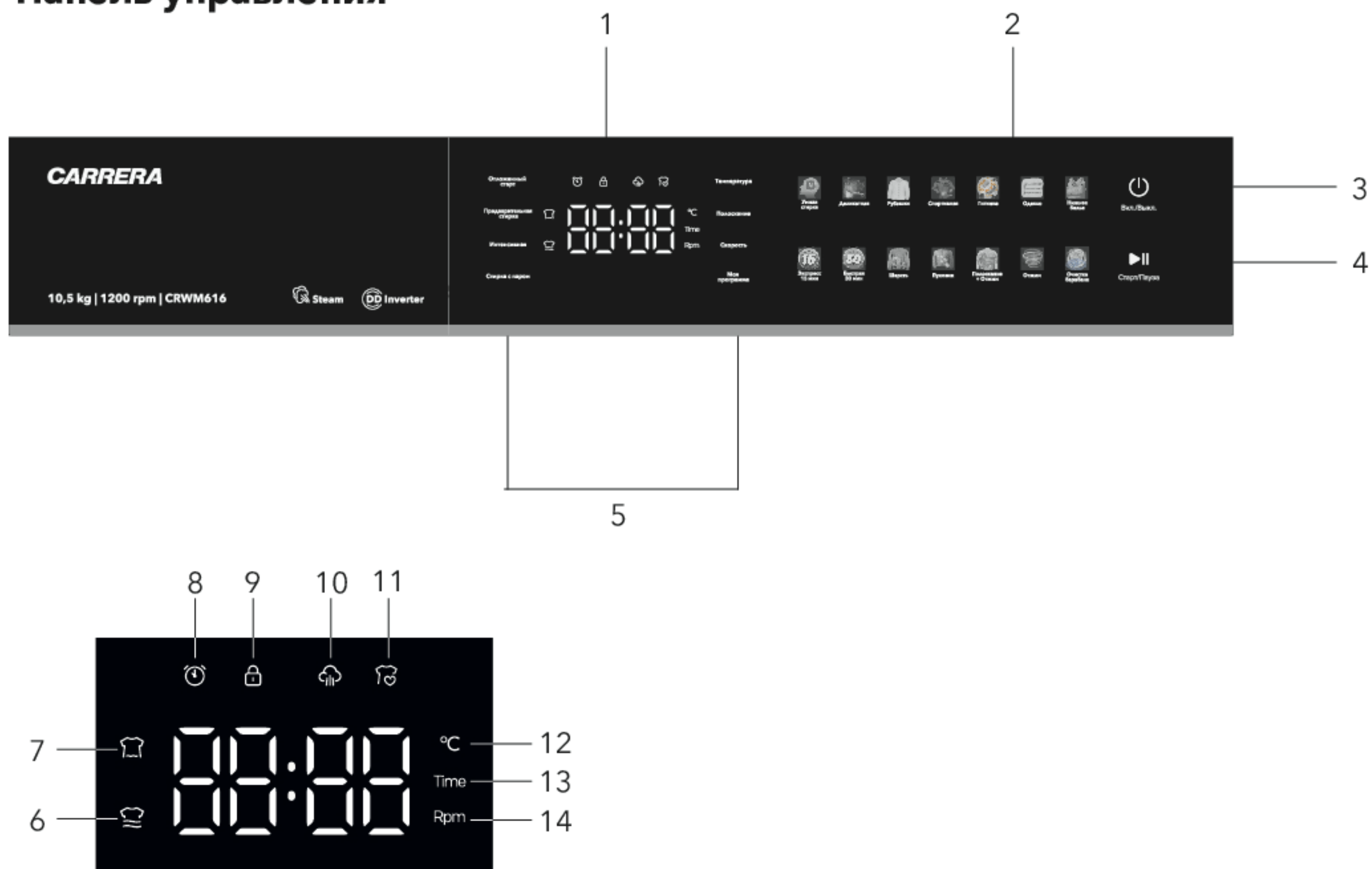


## Использование моющих средств

- Не используйте слишком много порошка или порошка, не предназначенного для автоматических стиральных машин, так как это может привести к чрезмерному образованию пены и повлиять на качество стирки.
- При недостаточном использовании порошка белье может приобрести серый оттенок, а на стенках барабана и нагревательном элементе образоваться накипь.
- Выбирайте тип стирального порошка и дозировку в соответствии с типом одежды, цветом, температурой воды и степенью загрязнения.
- Используйте умеренное моющее средство для получения максимального результата стирки и защиты окружающей среды.
- Для стирки сильно загрязненного белого белья рекомендуем использовать программу «Умная стирка» для стирки при 60°C или выше и использовать порошок, предназначенный для интенсивной стирки и включающий отбеливающие вещества. Для стирки при 40 до 60°C стиральный порошок следует выбирать, основываясь на типе материала и степени загрязнения. Для сильно загрязненных белых или цветных тканей подходят обычные порошки, а для цветных и не слишком грязных вещей подходят жидкие моющие средства или порошки серии «защита цвета».
- Для стирки при температуре ниже 40°C рекомендуем использовать жидкие моющие средства или специальные порошки для стирки при низких температурах.












## Панель управления



1. Дисплей (отображает время стирки, таймер отложенного старта, скорость отжима, коды ошибок)
2. Программы
3. Кнопка включения/выключения
4. Кнопка «Старт/Пауза»
5. Дополнительные функции
6. Индикатор функции «Предварительная стирка»
7. Индикатор функции «Интенсивная»
8. Индикатор функции «Отложенный старт»
9. Индикатор функции «Блокировка дверцы»
10. Индикатор функции «Стирка с паром»
11. Индикатор функции «Моя программа»
12. Индикатор температуры стирки
13. Индикатор таймера
14. Индикатор скорости



## Описание дополнительных функций

Обозначение	Описание
 Отложенный старт	1. Выберите программу стирки. 2. Нажимая на кнопку, установите время отсрочки старта – до 24 часов. 3. Нажмите  . 4. Для отмены функции до начала запуска программы нажмите  .
 Предварительная стирка	Используйте функцию для более эффективного удаления пятен. Перед началом основной стирки будет выполнен цикл предварительной стирки.
Интенсивная	Используйте функцию для стирки вещей из жесткой и грубой ткани, а также для стирки сильно загрязненных вещей. Функция может быть ограничена для некоторых программ.
 Стирка с паром	Используйте функцию для более эффективного удаления въевшейся грязи и нейтрализации аллергенов. Функция доступна для программ <i>Умная стирка</i> , <i>Гигиена</i> , <i>Одеяло</i> , <i>Очистка барабана</i> .
Температура	Нажимая на кнопку, установите нужную температуру стирки с шагом: <i>Холодная вода</i> – 30 °С – 40 °С – 60 °С – 96 °С. Функция может быть ограничена для некоторых программ.
 Полоскание	Нажимая на кнопку, выберите нужное количество полосканий (1-5 циклов). Функция может быть ограничена для некоторых программ.
Скорость	Нажимая на кнопку, выберите нужную скорость отжима с шагом: 1200 об/мин – 1000 об/мин – 800 об/мин – 400 об/мин – <i>Без отжима</i> . Функция может быть ограничена для некоторых программ.
 Моя программа	Сохраните в памяти прибора предпочитаемые настройки для быстрого начала стирки. Для этого установите нужные настройки, затем нажмите и удерживайте кнопку, пока на дисплее не появится индикатор  . Прозвучит два звуковых сигнала. В будущем для воспроизведения сохраненных настроек будет достаточно нажать кнопку «Моя программа». Прозвучит три звуковых сигнала. Прибор позволяет сохранить настройки только для одной программы.
 Блокировка дверцы	Дверца блокируется автоматически после начала программы и разблокируется через несколько минут после окончания программы.



## Описание программ

Программа	Макс. загрузка, кг	Температура по умолчанию/доступная температура, °С	Скорость отжима по умолчанию/доступная скорость, об/мин	Время, мин.	Описание
Умная стирка	10,5	30 (холодная вода /40/60/96)	800 (0/400/800/1200)	48	Подходит для стирки средне загрязненного хлопкового белья и является наиболее эффективной программой с точки зрения комбинированного потребления энергии и воды для стирки такого типа ткани.
Деликатная	3	30 (холодная вода/40)	800 (0/400)	44	Подходит для стирки кружевных вещей, тонкого белья и т. д. Программа позволяет сохранить форму вещи и качество материала.
Рубашки	3	30 (холодная вода/40)	800 (0/400)	28	Подходит для стирки рубашек и блуз из хлопка, льна, синтетических и смешанных тканей.
Спортивная	4	30 (0/40)	800 (0/400)	76	Подходит для стирки спортивной одежды.
Гигиена	4	60	800 (0/400/1000)	130	Подходит для глубокой очистки тканей из хлопка и льна.
Одеяло	3	40 (холодная вода/30/60)	800 (0/400/1000)	88	Подходит для стирки пуховых одеял. Перед загрузкой вещь рекомендуется расправить.
Нижнее белье	3	30 (0/40)	800 (0/400)	26	Подходит для стирки нижнего белья, постельного белья, детских пеленок и других вещей, которые непосредственно контактируют с кожей.
Экспресс 15 мин	2	Холодная вода (30/40)	800 (0/400)	15	Подходит для слабо загрязненной одежды, которую необходимо освежить.



Быстрая 30 мин	2	30 (холодная вода/40)	800 (0/400)	30	Подходит для быстрой стирки повседневной слабо загрязненной одежды.
Шерсть	2	30 (холодная вода/40)	800 (0/400)	47	Подходит для шерстяной ткани и трикотажа. Убедитесь, что на ткани есть соответствующая маркировка, прежде чем выбрать эту программу. По окончании стирки быстро извлеките вещи из барабана во избежание их усадки. Используйте специальные порошки для шерстяных вещей.
Пуховик	3	30 (холодная вода/40)	800 (0/400)	67	Подходит для стирки пуховиков. Перед загрузкой вещь рекомендуется расправить.
Поло- скание + отжим	10,5	-	800 (0/400/1000/1200)	16	Программа предназначена для удаления излишков моющего средства и влаги из белья.
Отжим	10,5	-	800 (0/400/1000/1200)	10	Программа предназначена для удаления излишков влаги из белья.
Очистка барабана	-	60 (96)	800	75	Программа предназначена для очистки внутреннего барабана от скопившейся грязи, неприятных запахов, металлического мусора.

**Примечания:**

- Время стирки может измениться в зависимости от загрузки, настроек скорости и температуры.
- При очень низкой скорости отжима рекомендуется добавить дополнительное полоскание.



## 08 УХОД И ОЧИСТКА

---

- Регулярно проводите очистку прибора, чтобы продлить срок его службы.
- Перед началом очистки отключите прибор от электросети. Не поливайте прибор водой.
- Протирайте корпус мягкой тканью. Если корпус сильно загрязнен, используйте подходящее мягкое моющее средство. Не используйте для очистки корпуса абразивные порошки, растворители, бензин и т. п.
- Производите регулярную очистку лотка для моющих средств. Выньте его и промойте под проточной водой со слабым мыльным раствором или моющим средством. Прополощите, затем вставьте обратно. Не используйте прибор без лотка для моющих средств.
- После стирки проверяйте резиновый уплотнитель дверцы. Извлеките из него посторонние предметы: монеты, ключи, бумагу и т. п.

**Примечание:** после каждой стирки закрывайте водопроводный кран. Это ограничит износ гидравлической системы внутри прибора и поможет предотвратить утечки.

### **Очистка фитинга (рекомендуется: 1 раз в полгода)**

Скопление мусора в фитинге оказывает влияние на скорость подачи воды.

Извлеките шланг из универсального фитинга, отвинтив, как указано стрелкой на картинке. Промойте внутреннюю часть фитинга, в том числе резьбу. Установите очищенный фитинг обратно на водопроводный шланг.



### **Очистка впускного клапана (рекомендуется: 1 раз в полгода)**

Отсоедините заливной шланг от прибора. Извлеките из впускного клапана сетчатый фильтр. Прочистите фильтр зубной щеткой. Аккуратно установите заливной шланг обратно.



Впускной клапан

### **Очистка барабана (рекомендуется: 1 раз в месяц)**

По прошествии времени в барабане может скопиться грязь и вызывать неприятный запах. Металлический мусор, оставшийся в барабане, может привести к появлению ржавчины и пятен на барабане. Используйте программу «Очистка».

### **ВНИМАНИЕ!**

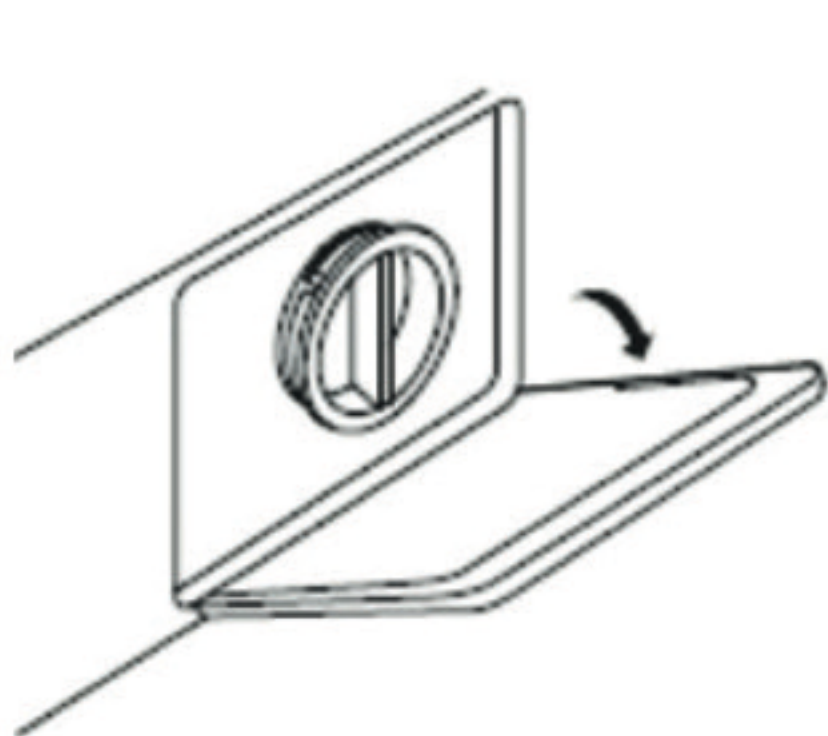
**Не кладите в прибор вещи и порошок во время очистки барабана и не используйте чистящие средства.**



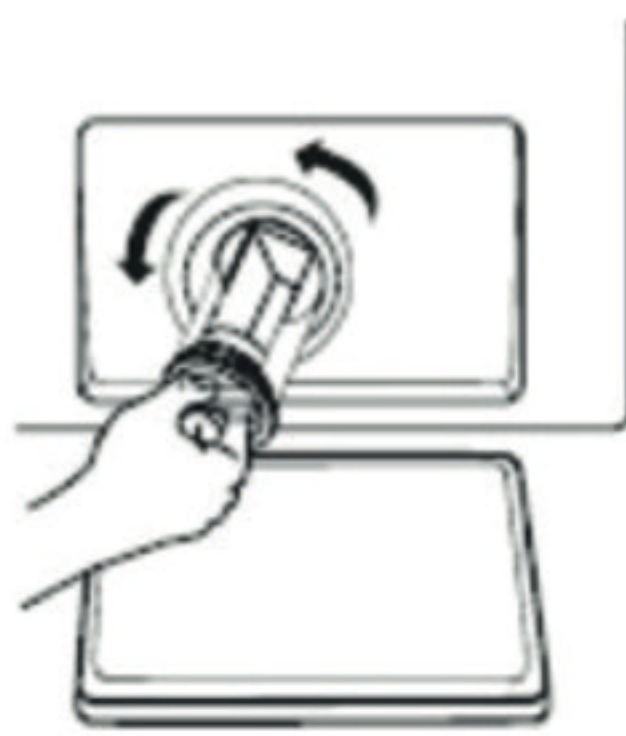
### **Техническое обслуживание, если в приборе замерзла вода**

Оберните замерзший кран/фитинг горячим полотенцем. Снимите заливной шланг и положите его в воду температурой от 20 до 50 °С. Залейте в барабан примерно 2-3 литра воды температурой 50 °С. Подсоедините шланг, откройте кран и включите прибор, проверьте, нормально ли работают впускной и сливной шланги.

### **Очистка сливного фильтра (рекомендуется: каждые 3 месяца)**



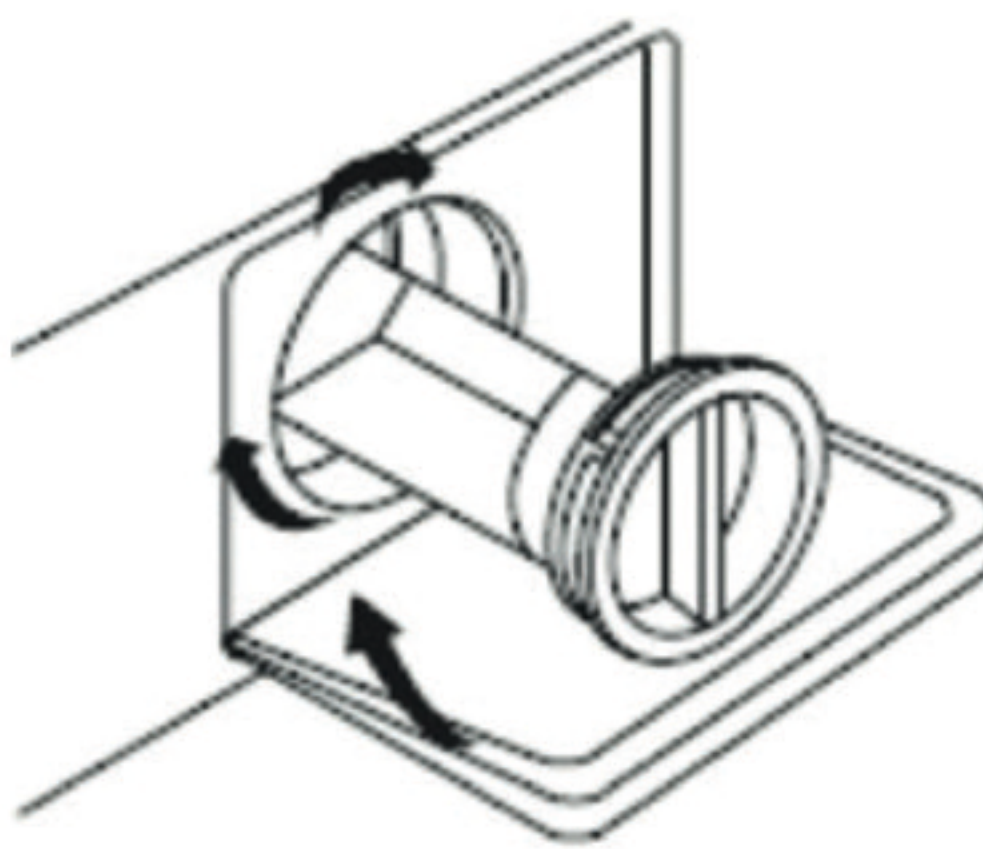
После слива воды и отключения питания, надавите на фиксатор и откройте крышку сливного фильтра. Будьте осторожны, чтобы не обжечься!



Снимите фильтр, повернув его против часовой стрелки.



Промойте фильтр.



Установите фильтр обратно, тщательно закрутив его по часовой стрелке, и закройте крышку.

### **ВНИМАНИЕ!**

- Во избежание утечки фильтр должен быть плотно затянут.
- Не чистите фильтр во время работы прибора.



## Удаление накипи

Если вы используете правильное количество моющего средства при большом количестве стирки, удаление накипи не потребуется. Если удаление накипи все же необходимо, используйте небольшое количество специального средства для удаления накипи.

## ВНИМАНИЕ!

**Средства для удаления накипи обычно содержат кислоты, которые могут повредить части стиральной машины и обесцветить белье.**

## Проверка заливного шланга (рекомендуется: 1 раз в год)

При наличии любых повреждений немедленно замените шланг: во время стирки давление воды очень сильное и поврежденный шланг может легко протечь. Никогда не используйте шланги, бывшие в употреблении.

## Очистка лотка для моющих средств (рекомендуется: 1 раз в три месяца)

1. Выньте лоток для моющих средств, потянув его на себя.
2. Промойте все части в проточной воде, удалив остатки моющих средств и кондиционера.
3. Очистите с помощью мягкой щетки, вытрите сухой тканью.
4. Вставьте лоток на место.

## ВНИМАНИЕ!

**Лоток для моющих средств не предназначен для мытья в посудомоечной машине.**

## 09 КОДЫ ОШИБОК

Код ошибки	Проблема	Решение
UE	Проблема с балансировкой барабана.	<ul style="list-style-type: none"><li>• Убедитесь, что транспортировочные болты сняты.</li><li>• Переместите прибор на более ровную и устойчивую поверхность.</li><li>• В прибор загружено слишком мало белья – добавьте больше вещей.</li><li>• Проверьте и при необходимости закрутите контргайки на ножках прибора.</li></ul>
IE	Прибор не смог набрать воду в установленное время.	<ul style="list-style-type: none"><li>• Проверьте и при необходимости откройте кран.</li><li>• Если перекрыта подача воды или давление слишком низкое, устраните проблему и подождите некоторое время.</li><li>• Краны/фитинги замерзли – отогрейте их горячей водой.</li><li>• Проверьте и очистите фильтры.</li></ul>



OE	Прибор не смог слить воду из бака.	<ul style="list-style-type: none"> <li>• Проверьте шланг и сливной насос на наличие засоров и очистите при необходимости.</li> <li>• Краны/фитинги замерзли – отогрейте их горячей водой.</li> <li>• Убедитесь, что конец сливного шланга находится на высоте не выше 1 м.</li> </ul>
DE	Дверца не закрыта до конца.	<ul style="list-style-type: none"> <li>• Закройте дверцу и заново запустите программу.</li> </ul>
HE	Ошибка датчика температур.	<ul style="list-style-type: none"> <li>• Убедитесь, что датчик температур установлен правильно.</li> </ul>
FE	Достигнут предельный уровень воды в баке.	<ul style="list-style-type: none"> <li>• Перекройте кран, отключите прибор от сети и вызовите специалиста.</li> </ul>
LE или CE	Барабан не вращается/не происходит нагрева.	<ul style="list-style-type: none"> <li>• Обратитесь в авторизованный сервисный центр.</li> </ul>
PE	Датчик уровня воды неправильно измеряет уровень воды в барабане.	<ul style="list-style-type: none"> <li>• Убедитесь, что датчик уровня воды установлен правильно и при необходимости закрутите его.</li> </ul>
PF	Сбой электропитания.	<ul style="list-style-type: none"> <li>• Выключите прибор, подождите несколько минут и включите снова.</li> </ul>

## 10 УСТРАНЕНИЕ НЕИСПРАВНОСТЕЙ

Проблема	Возможная причина	Решение
Прибор не включается.	<ol style="list-style-type: none"> <li>1. Вилка вставлена в розетку не полностью.</li> <li>2. Прибор не включен.</li> <li>3. Отключена электроэнергия.</li> <li>4. Активирована защита от протечек.</li> </ol>	<ol style="list-style-type: none"> <li>1. Вставьте вилку до конца, а также убедитесь, что напряжение в сети соответствует напряжению, указанному в технических характеристиках прибора.</li> <li>2. Нажмите кнопку «Вкл./Выкл.».</li> <li>3. Обратитесь к своему поставщику электроэнергии.</li> <li>4. Отключите прибор от сети, при необходимости слейте воду из бака через специальное отверстие и снова подключите прибор к сети.</li> </ol>
Не начинается выполнение программы.	Дверца закрыта не до конца.	Убедитесь, что дверца плотно закрыта.
Прибор не наполняется водой.	<ol style="list-style-type: none"> <li>1. Перекручен или пережат заливной шланг.</li> <li>2. Перекрыт кран.</li> <li>3. Заблокированы фильтры.</li> </ol>	<ol style="list-style-type: none"> <li>1. Проверьте и расправьте шланги.</li> <li>2. Откройте кран.</li> <li>3. Проверьте и прочистите фильтры.</li> </ol>



Прибор непрерывно наполняется водой и постоянно сливает.	<ol style="list-style-type: none"> <li>1. Верхняя точка сливного шланга расположена слишком низко.</li> <li>2. Сливной шланг неправильно подсоединен к сифону раковины, из-за чего вода стекает обратно в прибор.</li> <li>3. Конец сливного шланга продвинулся слишком далеко в трубу.</li> </ol>	<ol style="list-style-type: none"> <li>1. Убедитесь, что сливной шланг располагается выше дна раковины, чтобы вода не стекала по сливному шлангу обратно.</li> <li>2. Переустановите шланг в соответствии с разделом об установке.</li> <li>3. Убедитесь, что U-образный кронштейн установлен на расстоянии не менее 10 см от конца сливного шланга.</li> </ol>
Вода осталась в барабане.		
Застопорился процесс стирки.		
Прибор не сливает или не отжимает.	Фильтр насоса заблокирован.	Очистите фильтр.
Программа выполняется слишком долго.	Время выполнения программы зависит от давления воды, ее температуры, пенообразования, баланса при отжиге.	Это не является неисправностью.
Сильная вибрация при отжиге.	Не выровнены ножки.	Выровняйте ножки в соответствии с разделом об установке.
Шум при работе.	Некоторые шумы издаются мотором, помпой, потоком воды.	Это не является неисправностью.
Нет отжима.	Скорость отжима установлена на ноль.	Отрегулируйте скорость отжима при следующей стирке или запустите программу «Отжим».
Слишком много пены.	<ol style="list-style-type: none"> <li>1. В лоток было добавлено слишком много стирального порошка.</li> <li>2. Был использован стиральный порошок, не подходящий для стиральных машин с фронтальной загрузкой.</li> </ol>	<ol style="list-style-type: none"> <li>1. Используйте количество порошка в соответствии с рекомендациями изготовителя моющего средства.</li> <li>2. Используйте другой порошок.</li> </ol>
Протечка из лотка для моющих средств.	<ol style="list-style-type: none"> <li>1. Отделения лотка забиты моющим средством и требуют очистки.</li> <li>2. Слишком высокое давление воды.</li> </ol>	<ol style="list-style-type: none"> <li>1. Очистите лоток в соответствии с разделом об очистке.</li> <li>2. Обратитесь в свою коммунальную службу.</li> </ol>
Другие протечки.	Крепления заливного шланга ослаблены.	Проверьте крепления с концов корпуса и крана.
Неприятный запах.	Барабан загрязнен.	Запустите программу «Очистка барабана».
Дверца не открывается.	<ol style="list-style-type: none"> <li>1. Программа стирки еще не завершена.</li> <li>2. Между дверцей и уплотнителем дверцы застряла одежда.</li> </ol>	<ol style="list-style-type: none"> <li>1. Дождитесь завершения программы.</li> <li>2. Потяните за дверцу сильнее.</li> </ol>

## **ВНИМАНИЕ!**

**Механические повреждения корпуса, аксессуаров и комплектующих частей не являются гарантийным случаем.**



## 11 УТИЛИЗАЦИЯ

---



В целях защиты окружающей среды после окончания срока службы не выбрасывайте его вместе с обычными бытовыми отходами. Передайте прибор в специализированные пункты для дальнейшей утилизации.

Для получения дополнительной информации об утилизации данного продукта обратитесь в местную службу утилизации бытовых отходов или в магазин, где вы приобрели данный продукт.

## 12 ТРАНСПОРТИРОВКА И ХРАНЕНИЕ

---

- Храните прибор в чистом закрытом сухом помещении при температуре окружающей среды в диапазоне от 5 до 40 °С и относительной влажности воздуха не выше 70 %.

### При перемещении прибора:

- Отключите прибор от сети и перекройте подачу воды.
- Проверьте, правильно ли закрыты дверца и диспенсер для моющих средств. Полностью слейте воду из прибора.
- Отсоедините заливной и сливной шланги от водопровода и канализации. Установите четыре транспортировочных болта в задней части прибора.
- Транспортируйте прибор с осторожностью. Никогда не держитесь за какие-либо выступающие части прибора при подъеме. Дверцу прибора нельзя использовать в качестве ручки.
- Транспортировка прибора проводится всеми видами транспорта, в соответствии с правилами перевозки грузов. При транспортировке в заводской упаковке обеспечьте защиту прибора от повреждений, исключив возможность воздействия атмосферных осадков и агрессивной среды.
- При транспортировке без заводской упаковки рекомендуется использовать воздушно-пузырьковую пленку и тару из гофрированного картона. Рекомендуется качественно обернуть каждый элемент прибора в пленку и расположить в таре вертикально. Свободное расстояние между элементами изделия необходимо проложить воздушно-пузырьковой пленкой или сложенным картоном.



## **13 ГАРАНТИЯ**

---

Организация по гарантийному обслуживанию и принятию претензий:  
ООО «МВМ», Россия, 105066, г. Москва, ул. Нижняя Красносельская,  
д. 40/12, корпус 20, этаж 5, помещение II, комната 3.

### **Информация об условиях гарантии:**

<https://www.eldorado.ru/spv>

или по телефону Эльдорадо – 8 (800) 250-25-25

<https://www.mvideo.ru/spv>

или по телефону М.Видео – 8 (800) 600-77-75

Гарантия продавца – 12 месяцев с момента продажи (передачи) товара Покупателю.

## **14 ДОПОЛНИТЕЛЬНАЯ ИНФОРМАЦИЯ**

---

Изготовитель: Skyworth Electric Co., Ltd.

Адрес: No. 96 New Energy Avenue, Skyworth Industrial Park, Lishui District,  
Nanjing City, Jiangsu Province, Китай

Сделано в Китае

Импортер/Уполномоченное изготовителем лицо: «МВМ», Россия, 105066,  
г. Москва, ул. Нижняя Красносельская, д. 40/12, корпус 20, этаж 5, помеще-  
ние II, комната 3.

Телефон: +7 (495) 644-28-48

E-mail: cert-log@mvideo.ru

Установленный производителем в соответствии с п. 2 ст. 5 Закона РФ  
«О защите прав потребителей» срок службы данного изделия равен 5 го-  
дам с даты продажи при условии, что изделие используется согласно пра-  
вилам и рекомендациям, изложенным в настоящей инструкции по экс-  
плуатации, и применяемым техническим стандартам.

Специальные условия реализации не установлены.

Дата изготовления закодирована в серийном номере на приборе, где  
1-я и 2-я цифры с начала – месяц изготовления;

Следующие 2 цифры – год изготовления;

Следующие 7 цифр – серийный номер.

Товар сертифицирован, соответствует требованиям:

ТР ТС 004/2011 «О безопасности низковольтного оборудования»



ТР ТС 020/2011 «Электромагнитная совместимость технических средств»  
ТР ЕАЭС 037/2016 «Об ограничении применения опасных веществ в изделиях электротехники и радиоэлектроники».

Изготовитель оставляет за собой право изменения комплектации, технических характеристик и внешнего вида товара.

**ЕАС**















***CARRERA***

DESIGNED IN GERMANY

[www.carrera.de](http://www.carrera.de)