

CARRERA

DESIGNED IN GERMANY

EN

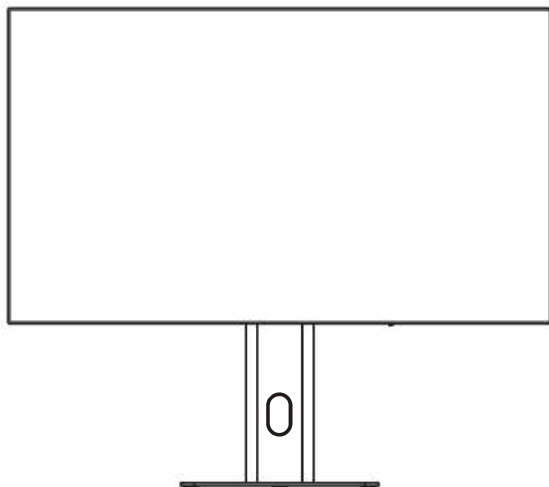
GAMING MONITOR

Instruction manual

RU

ИГРОВОЙ МОНИТОР

Инструкция по эксплуатации



N° 279

www.carrera.de

Welcome to the **CARRERA** club!

The story of **CARRERA** starts in the 80' in Germany as a lifestyle across two product categories: personal care and home appliances.

CARRERA engineers and designers were inspired by the legendary Carrera Panamericana, the longest and the most challenging race in the 50'. Only the racers who were ready to go beyond the limitations of their own bodies and materials stood a chance of winning.

Today, that same philosophy drives **CARRERA** to develop unique and powerful products.

Each product is made of hi-tech components and quality materials outlining power, quality, innovative features and effective design.

This approach resonated with millions of people, boosting **CARRERA** brand recognition in Europe up to 90 %. **CARRERA** products have become an embodiment of German precision and craftsmanship.

Today, **CARRERA** continues to invest into research and development. Each **CARRERA** product provides users with a sense of luxury, comfort and efficacy.

CARRERA is not just about tools. It is about a lifestyle.

CONTENT

01	SAFETY PRECAUTIONS	4
02	INTENDED USE	5
03	DEVICE OVERVIEW	5
04	ASSEMBLY & INSTALLATION	6
05	CONNECTION	7
06	USE	8
07	CLEANING & MAINTENANCE	9
08	TROUBLESHOOTING	9
09	DISPOSAL	10
10	STORAGE	11
11	TRANSPORT	11
12	TECHNICAL SPECIFICATION	12
13	SCOPE OF DELIVERY	12
14	WARRANTY	13
15	ADDITIONAL INFORMATION	13

01 SAFETY PRECAUTIONS



The symbol warns of life-threatening voltage and risk of electric shock.



The symbol indicates important operating and maintenance (service) conditions in the instruction manual.

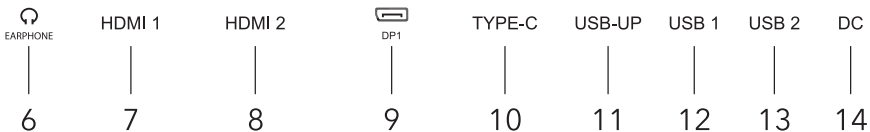
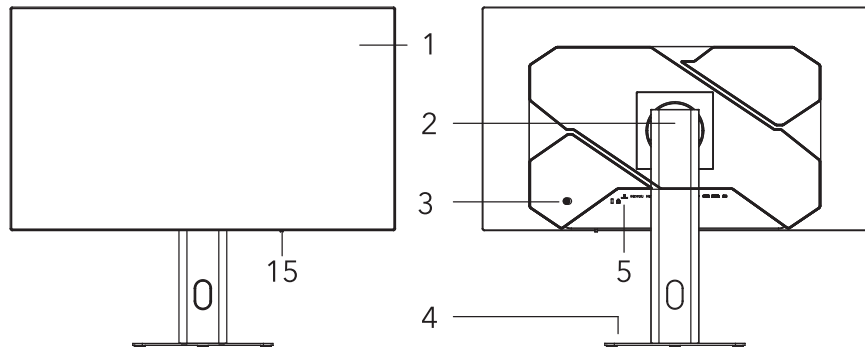
- Connect the power supply cable to the device first before plugging the power supply into a power outlet.
- Before using the power supply, make sure that the operating voltage of the device matches the mains voltage. Connect the device to an AC power source only.
- Place the device only on a level and stable surface. Before installation, make sure that the surface can support the weight of the device.
- Do not use the monitor near devices that generate magnetic fields (such as electric motors, televisions, etc.).
- Do not place heavy objects on the cables or power cord, or lay cables in high-traffic areas.
- Protect the cable of the device from negative physical effects (pinching, cutting, twisting, etc.).
- Do not touch the device or the power supply unit with wet hands.
- Install the device in such a way as to avoid reflections and glare on the screen.
- Do not attempt to disassemble the unit yourself. Any service should only be performed by qualified personnel from an authorized service center.
- Protect the device from blocked ventilation openings and from foreign objects entering the housing.
- Protect the device from mechanical impact: shocks, vibrations, drops. This may result in damage and failure of the device.
- It is recommended to use the supplied accessories.
- When using third-party accessories, make sure that they are compatible with this device.
- Do not use the device near heat sources or flammable objects, or in hot or cold temperatures. It is recommended that you use the device at a temperature between 10°C and 35°C.
- Avoid exposing the device to high humidity, water, dust and dirt.
- If the device is not to be used for an extended period of time, unplug it from the mains.
- Use a dry, soft, lint-free cloth for cleaning. Do not use any detergents or cleaning fluids for this purpose. Unplug the unit from the mains before cleaning.

- Do not use this unit after dropping it or if there is visible damage to the cable or the unit. Contact an authorized service center.
- When disconnecting the device from the power supply, do not pull on the cable.
- Check the device and the power supply regularly for mechanical damage and do not use the device if any damage is detected. Do not repair or modify the device yourself. Repairs to the device must only be carried out by a specialist service center.

02 INTENDED USE

The monitor is designed to visualize information from a personal computer. This device is designed for home use. It is not intended for commercial use. Use the device only for its intended purpose.

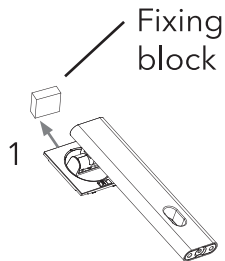
03 DEVICE OVERVIEW



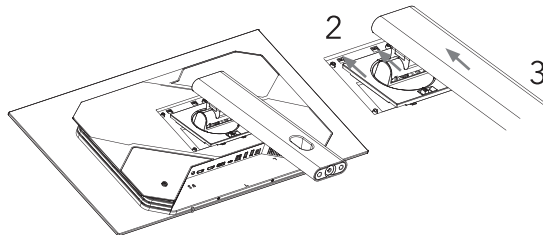
1. Screen
2. Bracket
3. Joystick/control button
4. Stand
5. Kensington lock
6. Headphone jack
7. HDMI 1
8. HDMI 2
9. DP connector
10. USB Type-C connector
11. USB-B connector (for connecting the USB hub to a PC)
12. USB 1 connector
13. USB 2 connector
14. Power cable connector.
15. Operation indicator light:
 - Lit blue: the device is connected to a power source
 - Flickering red: the device is in power saving mode

04 ASSEMBLY & INSTALLATION

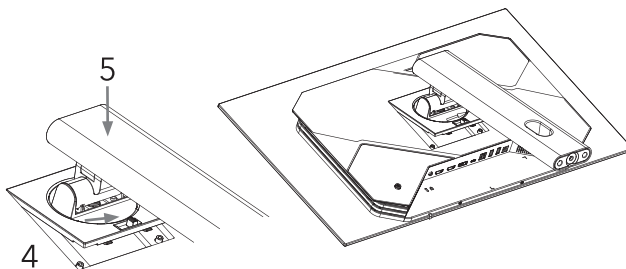
1. Remove the device from its packaging and place it on a flat, soft and stable surface with the screen facing downwards. Then remove the fixing block from the bracket (1).



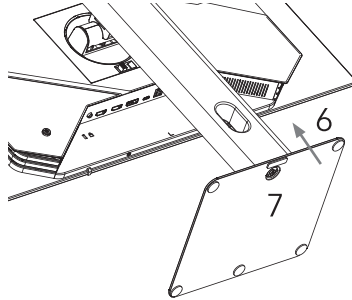
2. Insert the top of the bracket into the holes (2) on the back of the monitor at an angle (3) as shown in the drawing.



3. Slide the latch on the bracket cover to the right (4) and while holding it in this position, lower the bottom of the bracket into the hole on the monitor (5) and release the latch.

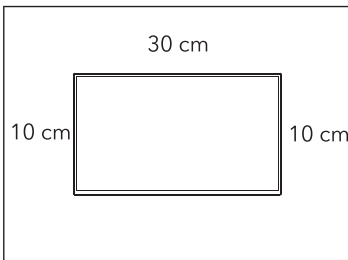


4. Insert the monitor stand into the connector on the bracket (6) and tighten the D-ring screw clockwise (7).

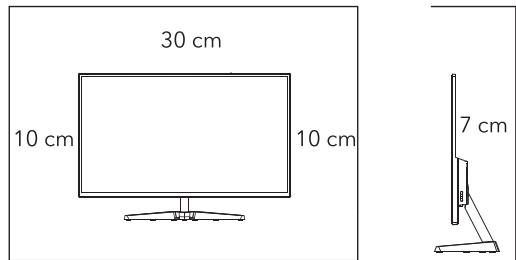


5. Do not place the monitor in a poorly ventilated area. Ensure safe air circulation.
6. When selecting a mounting place, make sure that there is sufficient clearance around the monitor.

Wall installation



Stand installation

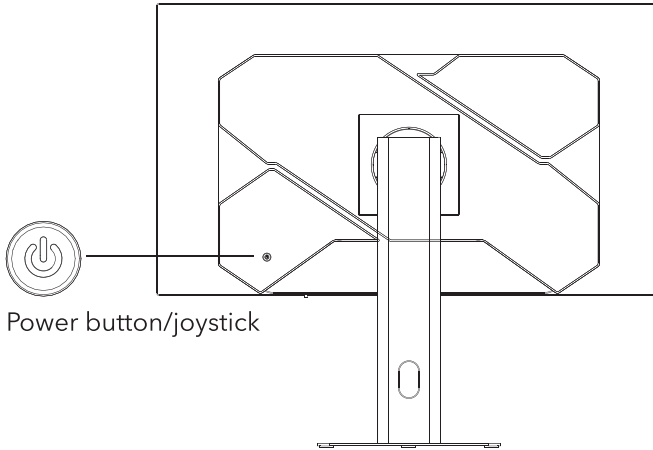


7. When mounting the monitor on the wall, make sure the bracket fits the VESA standard (see TECHNICAL SPECIFICATIONS for screw hole spacing). The bracket should support at least 4 times the combined weight of the monitor and bracket. Mount the monitor to a bracket that is already mounted on the wall.

05 CONNECTION

1. Make sure both the monitor and PC are unplugged.
2. Connect the HDMI/DP cable to the appropriate connector on the monitor and the other end of the cable to the connector on the video card of the computer.
3. Plug the power supply into the appropriate connector on the unit and plug it into an outlet with the appropriate specifications.
4. Set the resolution and refresh rate in the Screen Resolution tab (for Windows OC).

06 CONTROL



Power button	Press to turn the monitor on /open the screen menu.
	In screen menu mode, press and hold to exit the menu.
	Press and hold to turn off the monitor.
Joystick up	Select the signal source.
	In screen mode: up in the menu.
Joystick down	Open the volume setting menu.
	In screen mode: down in the menu.
Joystick left	Open the game settings menu.
	In screen mode: to the previous level menu.
Joystick right	Open the mode setting menu
	In screen mode: Enter/OK.

WARNING!

If the computer's video signals exceed the frequency range of the monitor screen, the synchronizing signals are automatically disabled to protect the display. For correct operation, it is necessary to adjust the output frequency of the computer video signal within the acceptable range.

07 CLEANING & MAINTENANCE

Cleaning the screen

Do not touch the screen with sharp objects. To remove dust or fingerprints from the screen, wipe it with a clean, dry, soft cloth. In case of heavy soiling, soak the cloth in room temperature water with a small amount of dishwashing detergent or fabric softener, wring the cloth almost dry, then wipe the screen. Make sure there is no water left on the screen. Do not turn the monitor on until the moisture has dried.

Cleaning the body

Clean the case with a clean, dry, soft, lint-free cloth soaked in room temperature water.

For your personal safety, be sure to disconnect the power cord from the power outlet before performing any cleaning or maintenance operations. Do not use chemicals (benzene, solvents or alcohol) to clean the case or screen as they may damage the surface of the monitor.

08 TROUBLESHOOTING

Problem	Cause	Solution
The monitor does not work/ the power indicator does not light.	The power cable is not powered on properly, the adapter is not properly inserted between the power cable or the adapter DC plug and the motherboard	Check that the mains connection is correct. Make sure the power supply plug is properly inserted into the power outlet.
	The monitor is turned off.	Press the power button.
	The power supply is damaged.	Contact an authorized service center.
Power is supplied, but there is no picture.	The cables are not connected correctly.	Make sure the cables are tightly connected.
	The monitor and cable connectors are damaged.	Contact an authorized service center.
	Too low brightness and contrast are set.	Adjust the brightness and contrast.

Color distortion, black and white image.	The monitor and cable connectors are damaged.	Contact an authorized service center.
	The graphics card is not seated tightly enough.	Make sure the graphics card is seated tightly in the motherboard connector.
	Too low brightness and contrast are set.	Adjust the brightness and contrast.
Image is blurry, image scale is incorrect (too large or too small).	The wrong resolution is set.	Set the correct resolution.
The image is distorted and the screen flashes.	The wrong frequency is set.	Set the correct frequency.
The monitor gets hot.	There is not enough space around the monitor.	Make sure there is at least 5 cm of free space around the monitor.
Spots on the screen when the power is turned on.	The reaction is caused by the change in temperature.	This is not a malfunction. The spots will disappear within 20 minutes.

09 DISPOSAL



To protect the environment, do not dispose of appliance and the batteries with household waste. Bring the appliance and batteries to specialized points for further disposal. For more information on the disposal of this product, contact your local authority, your household waste disposal service, or the retailer.

10 STORAGE

- It is recommended that you store the unit in its original packaging, in a dry, well-ventilated area, away from heaters and direct sunlight.
- Store at temperatures from +5 to +40 °C in closed rooms and absence of acidic, alkaline and other aggressive impurities in the air.
- Do not store the monitor without packaging.
- Do not place other objects, especially heavy objects, on top of the monitor box.

11 TRANSPORT

- Transportation of the device can be carried out by all means of transport, in accordance with the rules for the carriage of goods. When transporting in the original packaging, protect the appliance from damage, preventing the exposure to precipitation and aggressive environments.
- When transporting the appliance without original packaging, use bubble wrap and corrugated cardboard packaging. Wrap each element of the appliance in a film and place it vertically in the container. The free distance between the elements of the product must be laid with air bubble wrap or folded cardboard.

12 TECHNICAL SPECIFICATION

Monitor

- Model name: CRL279
- Screen size: 27"
- Brightness: 450 cd/m² (SDR), 1000 cd/m² (HDR)
- Matrix type: OLED
- Ratio: 16:9
- Backlight: OLED
- Contrast: 150,000:1
- Pixel pitch: 0.2292 (D) × 0.2292 (H)
- Maximum resolution: 2560 × 1440
- Frequency at maximum resolution: 240 Hz
- Connectors: HDMI × 2, DP × 1, USB-A × 2, USB-B × 1, USB Type-C × 1, Earphone
- Response time: 0.1 ms.
- Viewing Angle: Horizontal – 120°, Vertical – 120°
- Power supply parameters: 24 V = 10 A
- Power consumption in standby mode: ≤ 0.5 W
- Power consumption in operating mode: ≤ 240 W
- Built-in speakers
- Speaker power: 2 × 5 W
- Power cord attachment type: X
- Protection class against electric shock: III
- Degree of protection: IP20
- VESA mount: 100 × 100 mm
- Net Weight:
 - without stand: 5.6 kg
 - with stand: 7.4 kg
- Device dimensions:
 - without stand: 604.4 × 350.6 × 45.3 mm
 - with stand: 604.4 × 525.6 × 200 mm

13 SCOPE OF DELIVERY

- Gaming monitor
- Stand
- Bracket
- DP cable
- Cable holder
- Power supply
- Power cable
- Instruction manual

14 WARRANTY

Organization for warranty service and acceptance of claims:

LLC "MVM", Russia, 105066, Moscow, Nizhnyaya Krasno-selskaya str., 40/12, building 20, floor 5, room II, room 3.

Phone: +7 (495) 644-28-48

Information about the warranty conditions:

<https://www.eldorado.ru/spv>

or by phone Eldorado - 8 (800) 250 25 25

<https://www.mvideo.ru/spv>

or by phone M.Video - 8 (800) 600 77 75

The seller's warranty is 12 months from the date of sale (transfer) of the goods to the Customer.

15 ADDITIONAL INFORMATION

Manufacturer: SHENZHEN KTC COMMERCIAL DISPLAY TECHNOLOGY CO., LTD.

Address: The first to fifth Floor, 1#Building B, NO. 4023 Wuhe street, Bantian, Longgang District Shenzhen, Guangdong, China

Made in China

Importer/Manufacturer's authorized company:

LLC «MVM», Russia, 105066, Moscow, Nizhnyaya Krasno-selskaya str., 40/12, building 20, floor 5, room II, room 3.

E-mail: cert-log@mvideo.ru

Phone: +7 (495) 644-28-48

Installed by the manufacturer in accordance with paragraph 2 of article 5 of the Law of the Russian Federation «On Consumer Protection» the service life of this product is 3 years from the date of sale, provided that the product is used in accordance with the rules and recommendations set forth in this instruction manual and applicable technical standard.

There are no special conditions for the sale.

The date of manufacture is indicated (coded) in the serial number on the appliance, where the 1st symbol is the month in the form of a Latin letter. The serial number of this letter indicates the number of the month of manufacture: A - January, B - February, C - March, D - April, E - May, F - June, G - July, H - August, J - September, K - October, L - November, M - December. The 2nd digit is the last digit of the year of manufacture.

The product is certified, meets the requirements:
TR TS 004/2011 «On the safety of low-voltage equipment»
TR TS 020/2011 «Electromagnetic compatibility of technical means»
TR EAEU 037/2016 «On the restriction of the use of hazardous substances in products of electrical engineering and radio electronics».
The manufacturer reserves the right to change the scope of delivery, technical specifications and appearance of the goods.



The terms HDMI, HDMI High-Definition Multimedia Interface, HDMI Trade dress and the HDMI Logos are trade-marks or registered trade-marks of HDMI Licensing Administrator, Inc.

Добро пожаловать в клуб **CARRERA!**

История бренда начинается в 1980-е гг. в Германии, когда дизайнеры разработали первые линейки техники для дома и для ухода за собой.

Инженеры и дизайнеры **CARRERA** вдохновлялись легендарной Carrera Panamericana – самой долгой и опасной гонкой 1950-х. На победу в гонке могли рассчитывать лишь те, кто выкладывался до конца и был готов выйти за пределы возможностей человека и техники.

Эта философия и легла в основу всех продуктов **CARRERA**.

Для каждого устройства используются Hi-Tech компоненты и высококачественные материалы. Акцент делается на мощность, качество, инновационность и функциональный дизайн.

Такой подход нашел отклик в сердцах миллионов покупателей: в настоящий момент узнаваемость бренда в Европе достигла 90 %, а продукты **CARRERA** стали признанным воплощением немецкой точности и мастерства.

Сегодня **CARRERA** продолжает инвестировать в научные исследования и развитие. В каждом созданном продукте сочетается комфорт, производительность и роскошь.

CARRERA – это не просто техника. Это стиль жизни.

СОДЕРЖАНИЕ

01 МЕРЫ БЕЗОПАСНОСТИ	18
02 НАЗНАЧЕНИЕ	19
03 СХЕМА УСТРОЙСТВА	20
04 СБОРКА И УСТАНОВКА	21
05 ПОДКЛЮЧЕНИЕ	22
06 УПРАВЛЕНИЕ	23
07 ОЧИСТКА И УХОД	24
08 УСТРАНЕНИЕ НЕИСПРАВНОСТЕЙ	24
09 УТИЛИЗАЦИЯ	26
10 УСЛОВИЯ ХРАНЕНИЯ	26
11 ТРАНСПОРТИРОВКА	26
12 ТЕХНИЧЕСКИЕ ХАРАКТЕРИСТИКИ	27
13 КОМПЛЕКТАЦИЯ	28
14 ГАРАНТИЯ	28
15 ДОПОЛНИТЕЛЬНАЯ ИНФОРМАЦИЯ	28

01 МЕРЫ БЕЗОПАСНОСТИ



Символ молнии в треугольнике предупреждает о наличии в устройстве опасного для жизни напряжения и риске поражения электрическим током.



Символ восклицательного знака в треугольнике указывает на наличие в настоящей инструкции важных условий по эксплуатации и техническому (сервисному) обслуживанию.

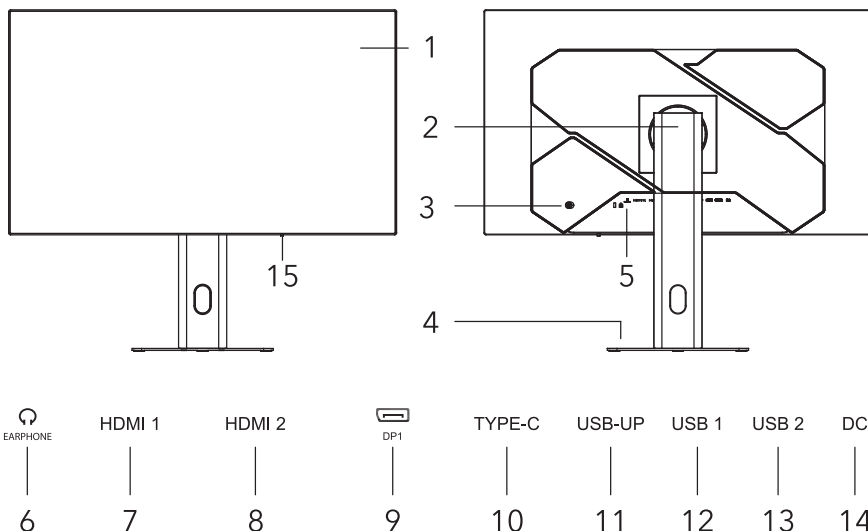
- Сначала подключайте кабель блок питания к устройству и только потом вставляйте блок питания в розетку.
- Перед использованием блока питания убедитесь в соответствии рабочего напряжения устройства и напряжения электросети. Подключайте прибор только к источнику переменного тока.
- Размещайте устройство исключительно на ровной и стабильной поверхности. Перед установкой убедитесь, что данная поверхность выдержит вес устройства.
- Не используйте монитор рядом с устройствами, генерирующими магнитное поле (например, электромоторами, телевизорами и др.).
- Не ставьте тяжелые предметы на кабели и шнур питания, не прокладывайте кабели в местах интенсивного движения.
- Оберегайте кабель устройства от негативных физических воздействий (заземление, порезы, скручивание и т. д.).
- Не прикасайтесь к устройству и блоку питания мокрыми руками.
- Установите устройство таким образом, чтобы избежать возникновения на его экране отражений и бликов.
- Не пытайтесь разбирать устройство самостоятельно. Любое обслуживание должно производиться только квалифицированным персоналом авторизованного сервисного центра.
- Оберегайте устройство от блокировки вентиляционных отверстий, а также от попадания посторонних объектов в корпус.
- Предохраняйте устройство от механического воздействия: ударов, вибраций, падений. Это может привести к повреждению и выходу устройства из строя.
- Рекомендуется использовать комплектующие из комплекта поставки.
- При использовании сторонних аксессуаров убедитесь в их совместимости с данным устройством.
- Не используйте устройство рядом с источниками тепла и легковоспламеняющимися предметами, при повышенной или пониженной температуре. Рекомендуется использовать устройство при температуре от 10 до 35 °С.

- Избегайте воздействия на устройство повышенной влажности, воды, пыли и грязи.
- Если устройство не планируется использовать в течение длительного времени, отключите его от электрической сети.
- Используйте для очистки сухую мягкую безворсовую ткань. Запрещается использовать для этой цели какие-либо моющие или чистящие жидкости. Отключите устройство от электрической сети перед очисткой.
- Не используйте данное устройство после падений, а также при наличии видимых повреждений кабеля или самого устройства. Обратитесь в авторизованный сервисный центр.
- При обнаружении сбоев в работе устройства незамедлительно прекратите его использование и обратитесь в авторизованный сервисный центр.
- При возникновении постороннего шума, запаха, дыма незамедлительно прекратите использование устройства и отключите его от электрической сети.
- Отключая прибор от блока питания, не тяните за кабель.
- Регулярно проверяйте прибор и блок питания для выявления механических повреждений и не используйте прибор в случае их обнаружения. Запрещается самостоятельно ремонтировать прибор или вносить изменения в его конструкцию. Ремонт прибора должен производиться исключительно специалистом сервисного центра.

02 НАЗНАЧЕНИЕ

Монитор предназначен для визуализации информации с персонального компьютера. Данное устройство разработано для домашнего использования. Устройство не предназначено для использования в коммерческих целях. Используйте устройство только по его прямому назначению.

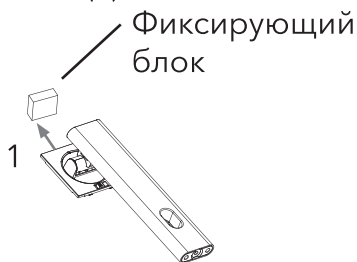
03 СХЕМА УСТРОЙСТВА



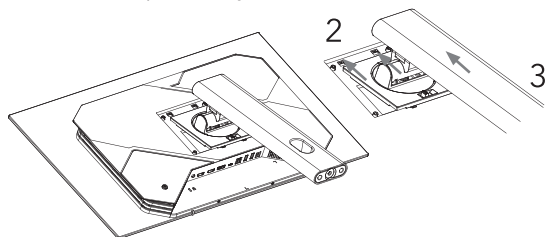
1. Экран
2. Кронштейн
3. Джойстик/кнопка управления
4. Подставка монитора
5. Замок Kensington
6. Разъем для наушников
7. Разъем HDMI 1
8. Разъем HDMI 2
9. Разъем DP
10. Разъем USB Type-C
11. Разъем USB-B (для подключения USB-концентратора к ПК)
12. Разъем USB 1
13. Разъем USB 2
14. Разъем для кабеля питания.
15. Индикатор работы:
 - Горит синим – устройство подключено к источнику питания.
 - Мерцает красным – устройство находится в режиме энергосбережения.

04 СБОРКА И УСТАНОВКА

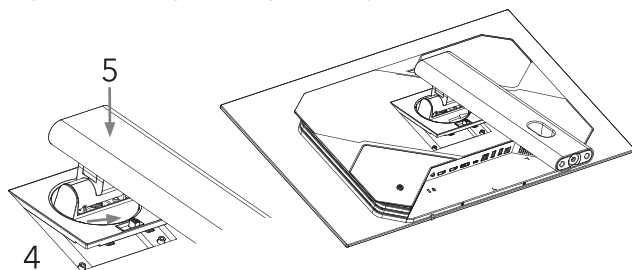
1. Извлеките устройство из упаковки и поместите на ровную, мягкую и устойчивую поверхность экраном вниз. Затем извлеките фиксирующий блок из кронштейна (1).



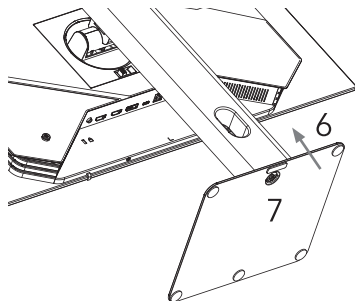
2. Вставьте верхнюю часть кронштейна в специальные отверстия (2) на задней панели монитора под углом (3), как показано на схеме.



3. Сдвиньте фиксатор на крышке кронштейна вправо (4) и, удерживая его в этом положении, опустите нижнюю часть кронштейна в отверстие на мониторе (5) и отпустите фиксатор.

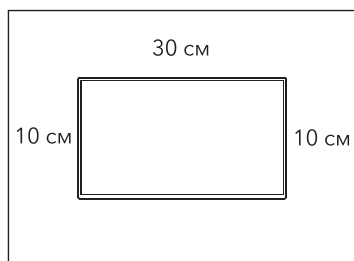


4. Вставьте подставку монитора в разъем на кронштейне (6) и закрутите винт с D-образным

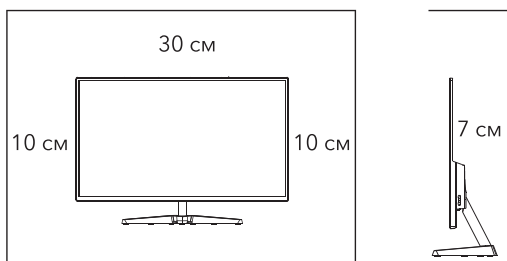


5. Не размещайте монитор в плохо вентилируемых местах. Обеспечивайте безопасную циркуляцию воздуха.
6. При выборе места установки убедитесь, что вокруг монитора останется достаточно свободного пространства.

Установка на стене



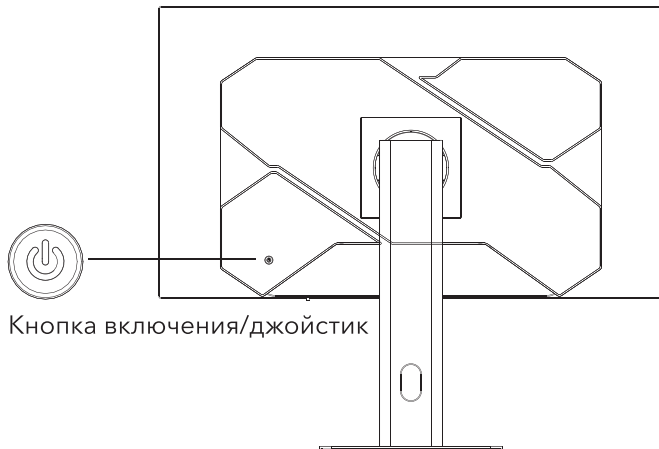
Установка на подставке



7. При установке монитора на стену убедитесь, что кронштейн подходит под стандарт VESA (расстояние между отверстиями винтовых креплений смотрите в разделе ТЕХНИЧЕСКИЕ ХАРАКТЕРИСТИКИ). Кронштейн должен выдерживать вес, как минимум в 4 раза больший, чем совокупный вес монитора и кронштейна. Монтируйте монитор на уже установленный на стену кронштейн.

05 ПОДКЛЮЧЕНИЕ

1. Убедитесь, что и монитор, и ПК отключены от сети.
2. Подключите кабель HDMI/DP к соответствующему разъему монитора, а другой его конец – к разъему на видеокарте компьютера.
3. Подключите блок питания в соответствующий разъем в корпусе устройства и вставьте вилку в розетку с соответствующими техническими характеристиками.
4. Установите разрешение и частоту обновления во вкладке «Разрешение экрана» (для Windows ОС).



Кнопка включения	Нажмите, чтобы включить монитор/вызывать меню экрана.
	В режиме меню экрана нажмите и удерживайте, чтобы выйти из меню.
	Нажмите и удерживайте, чтобы выключить монитор.
Джойстик вверх	Выбор источника сигнала.
	В режиме экранного меню: переключение выше по меню.
Джойстик вниз	Вызов меню настройки громкости.
	В режиме экранного меню: переход ниже по меню.
Джойстик влево	Вызов меню игровых настроек.
	В режиме экранного меню: переход к меню предыдущего уровня.
Джойстик вправо	Вызов меню настройки режимов.
	В режиме экранного меню: Ввод/ОК.

ВНИМАНИЕ!

Если видеосигналы компьютера превышают частотный диапазон экрана монитора, то для защиты дисплея синхронизирующие сигналы отключатся автоматически. Для корректной работы необходимо настроить выходную частоту видеосигнала компьютера в пределах допустимого диапазона.

07 ОЧИСТКА И УХОД

Чистка экрана

Запрещается прикасаться к экрану острыми предметами. Чтобы убрать с экрана пыль или отпечатки пальцев, протрите его чистой сухой мягкой тканью или салфеткой, идущей в комплекте. В случае сильного загрязнения смочите ткань в воде комнатной температуры с добавлением небольшого количества средства для мытья посуды или смягчителя ткани, отожмите ткань почти досуха, затем протрите экран. Убедитесь, что на экране не осталась вода. Не включайте монитор, пока влага не высохнет.

Чистка корпуса

Очищайте внешнюю поверхность корпуса чистой сухой мягкой тканью без ворса, смоченной в воде комнатной температуры.

В целях вашей личной безопасности обязательно отсоедините блок питания от электросети перед осуществлением каких-либо операций по чистке и уходу. Запрещается использовать химические средства (бензолы, растворители или спирт) для чистки корпуса или экрана, т. к. они могут повредить его поверхность.

08 УСТРАНЕНИЕ НЕИСПРАВНОСТЕЙ

Проблема	Причина	Решение
Монитор не работает/не горит индикатор питания.	Блок питания не подключен к сети должным образом.	Проверьте корректность подключения к сети. Убедитесь, что вилка блока питания правильно вставлена в розетку.
	Монитор выключен.	Нажмите на кнопку включения.
	Блок питания поврежден.	Обратитесь в авторизованный сервисный центр.

Питание подается, но нет изображения.	Кабели подсоединены некорректно.	Убедитесь в плотности подключения соответствующих кабелей.
	Повреждены разъемы монитора и коннекторов кабелей.	Обратитесь в авторизованный сервисный центр.
	В настройках монитора выставлены слишком низкие яркость и контрастность.	Отрегулируйте яркость и контрастность.
Искажение цветов, черно-белое изображение.	Повреждены разъемы монитора и коннекторов кабелей.	Обратитесь в авторизованный сервисный центр.
	Видеокарта сидит недостаточно плотно.	Убедитесь, что видеокарта плотно сидит в разьеме материнской платы.
	В настройках монитора выставлены слишком низкие яркость и контрастность.	Отрегулируйте яркость и контрастность.
Мутное изображение, некорректный масштаб изображения (слишком большой или слишком маленький).	В настройках монитора выставлено неподходящее разрешение.	Установите корректное разрешение.
Искажение изображения, экран мигает.	В настройках монитора выставлена неподходящая частота.	Установите корректную частоту.
Монитор нагревается.	Вокруг монитора недостаточно свободного пространства.	Убедитесь, что вокруг монитора как минимум 5 см свободного пространства.
Пятна на экране при включении.	Реакция вызвана изменением температур.	Это не является неисправностью. Пятна исчезнут в течение 20 минут.

09 УТИЛИЗАЦИЯ



В целях защиты окружающей среды после окончания срока службы устройства не выбрасывайте его вместе с обычными бытовыми отходами. Передайте устройство в специализированные пункты для дальнейшей утилизации.

Для получения дополнительной информации об утилизации данного продукта обратитесь в местную службу утилизации бытовых отходов или в магазин, где вы приобрели данный продукт.

10 УСЛОВИЯ ХРАНЕНИЯ

- Рекомендуется хранить устройство в товарной упаковке, в сухом, хорошо проветриваемом помещении, вдали от нагревательных приборов и прямых солнечных лучей. Хранение устройства без упаковки не допускается
- Не размещайте другие, в особенности тяжелые предметы поверх коробки устройства.
- Храните при температуре от +5 до +40 °С в закрытых помещениях и отсутствии в воздухе кислотных, щелочных и других агрессивных примесей.

11 ТРАНСПОРТИРОВКА

Транспортировка устройства проводится всеми видами транспорта в соответствии с правилами перевозки грузов. При транспортировке в заводской упаковке обеспечьте защиту устройства от повреждений, исключив возможность воздействия атмосферных осадков и агрессивной среды.

При транспортировке без заводской упаковки рекомендуется использовать воздушно-пузырьковую пленку и тару из гофрированного картона. Рекомендуется качественно обернуть каждый элемент прибора в пленку и расположить в таре вертикально. Свободное расстояние между элементами изделия необходимо проложить воздушно-пузырьковой пленкой или сложенным картоном.

12 ТЕХНИЧЕСКИЕ ХАРАКТЕРИСТИКИ

Монитор

- Модель: CRL279
- Диагональ экрана: 27"
- Яркость: 450 кд/м² (SDR), 1000 кд/м² (HDR)
- Тип матрицы: OLED
- Соотношение сторон: 16:9
- Подсветка: OLED
- Контрастность: 150 000:1
- Шаг пикселя: 0,2292 (Г) × 0,2292 (В)
- Максимальное разрешение: 2560 × 1440
- Частота при максимальном разрешении: 240 Гц
- Разъемы: HDMI × 2, DP × 1, USB-A × 2, USB-B × 1, USB Type-C × 1, mini-Jack
- Время отклика: 0,1 мс.
- Угол обзора: горизонтальный – 120°, вертикальный – 120°
- Параметры питания: 24 В == 10 А
- Потребляемая мощность в режиме ожидания: ≤ 0,5 Вт
- Потребляемая мощность в рабочем режиме: ≤ 240 Вт
- Встроенные колонки
- Мощность динамика: 2 × 5 Вт
- Тип крепления шнура питания: X
- Класс защиты от поражения током: III
- Степень защиты: IP20
- Крепление VESA: 100 × 100 мм
- Масса нетто:
 - без подставки: 5,6 кг
 - с подставкой: 7,4 кг
- Габариты устройства:
 - без подставки: 604,4 × 350,6 × 45,3 мм
 - с подставкой: 604,4 × 525,6 × 200 мм

Блок питания

- Модель: CRL279
- Вход: 100-240 В, 50 Гц, 5 А
- Выход: 24 В == 10 А

13 КОМПЛЕКТАЦИЯ

- Игровой монитор
- Подставка
- Кронштейн
- DP-кабель
- Держатель кабеля
- Блок питания
- Кабель питания
- Руководство по эксплуатации

Организация по гарантийному обслуживанию и принятию претензий:

ООО «МВМ», Россия, 105066, г. Москва, ул. Нижняя Красносельская, д. 40/12, корпус 20, этаж 5, помещение II, комната 3.

Информация об условиях гарантии:

<https://www.eldorado.ru/spv>

или по телефону Эльдorado – 8 (800) 250-25-25

<https://www.mvideo.ru/spv>

или по телефону М.Видео – 8 (800) 600-77-75

Гарантия продавца – 12 месяцев с момента продажи (передачи) товара Покупателю.

15 ДОПОЛНИТЕЛЬНАЯ ИНФОРМАЦИЯ

Изготовитель: SHENZHEN KTC COMMERCIAL DISPLAY TECHNOLOGY CO., LTD.

Адрес: The first to fifth Floor, 1#Building B, NO. 4023 Wuhe street, Bantian, Longgang District Shenzhen, Guangong, Китай

Сделано в Китае

Импортер/Уполномоченное изготовителем лицо: ООО «МВМ», Россия, 105066, г. Москва, ул. Нижняя Красносельская, д. 40/12, корпус 20, этаж 5, помещение II, комната 3.

Телефон: +7 (495) 644-28-48

E-mail: cert-log@mvideo.ru

Установленный производителем в соответствии с п. 2 ст. 5 Закона РФ «О защите прав потребителей» срок службы данного изделия равен 3 годам с даты продажи при условии, что изделие используется согласно правилам и рекомендациям, изложенным в настоящей инструкции по эксплуатации, и применяемым техническим стандартам.

Специальные условия реализации не установлены.

Дата изготовления указана (закодирована) в серийном номере на приборе, где 1-й символ – месяц в виде латинской буквы. Порядковый номер этой буквы указывает на номер месяца изготовления: А – январь, В – февраль, С – март, D – апрель, Е – май, F – июнь, G – июль, H – август, J – сентябрь, K – октябрь, L – ноябрь, M – декабрь. 2-я цифра – последняя цифра года производства.

Товар сертифицирован, соответствует требованиям:

ТР ТС 004/2011 «О безопасности низковольтного оборудования»

ТР ТС 020/2011 «Электромагнитная совместимость технических средств»

ТР ЕАЭС 037/2016 «Об ограничении применения опасных веществ в изделиях электротехники и радиоэлектроники».

Изготовитель оставляет за собой право изменения комплектации, технических характеристик и внешнего вида товара.



Термины HDMI, HDMI High-Definition Multimedia Interface и логотип HDMI являются товарными знаками или зарегистрированными товарными знаками HDMI Licensing Administrator, Inc. в Соединенных Штатах и других странах.

CARRERA

DESIGNED IN GERMANY